

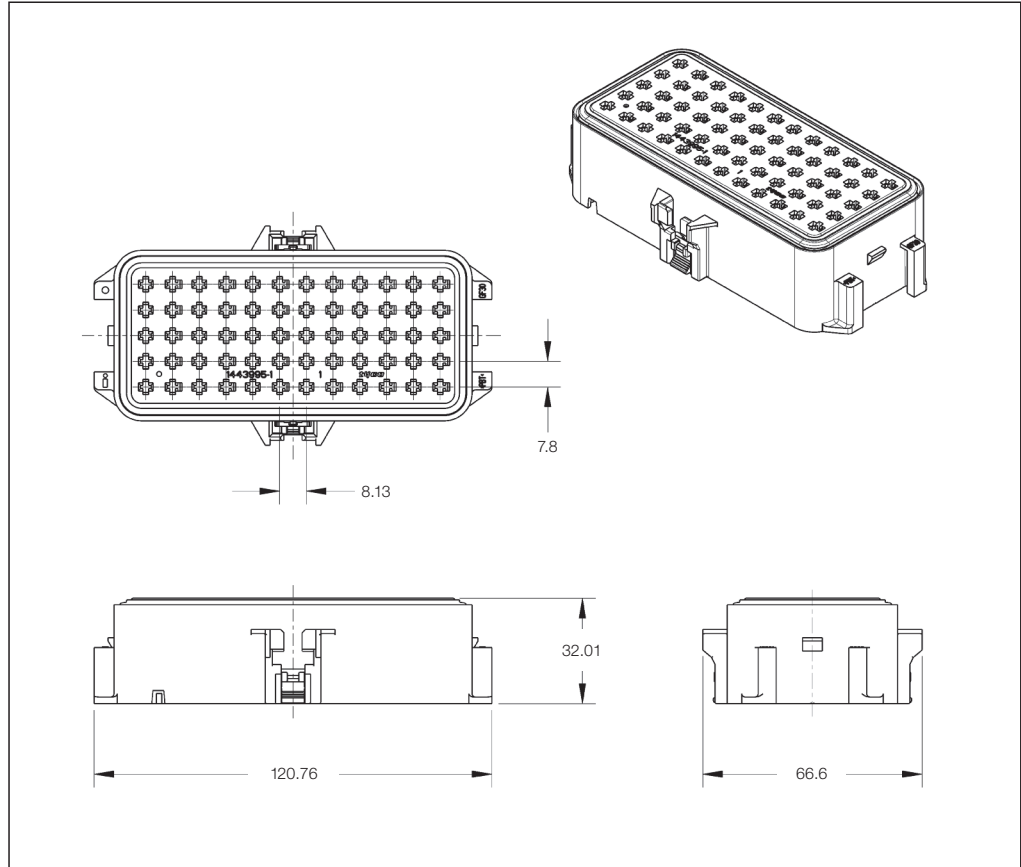
60 Position Fuse and Relay Box

Applications

- Electric and Hybrid Vehicles
- Truck and Bus Segments
- Motorcycles
- Construction and Agriculture Vehicles
- Marine
- AVT, Personal Water Craft and Snowmobiles

Technical Features

- Designed for 2.8 mm Plug-In Components
- Utilizes Sealed AMP MCP 2.8 mm Receptacle Terminals
- Multiple Mounting Configurations
- 18 AWG SLX – 12 AWG GXL
- Sealed to IP67
- Cover Latch Position Assurance



60 Position Fuse and Relay Box

Part Number	Package Quantity	Description	Color	Applicable Components
1443997-1	–	Base with Seal and CPA	Black	1-968857-1 14–16 AWG AMP MCP 2.8 Contact
1443997-2	–	Base with Seal	Black	828905-1 Wire Seal for 1-968857-1 828922-1 Cavity Plug
1443995-1	–	Base without Seal	Black	1443998-1 Fuse Removal Tool

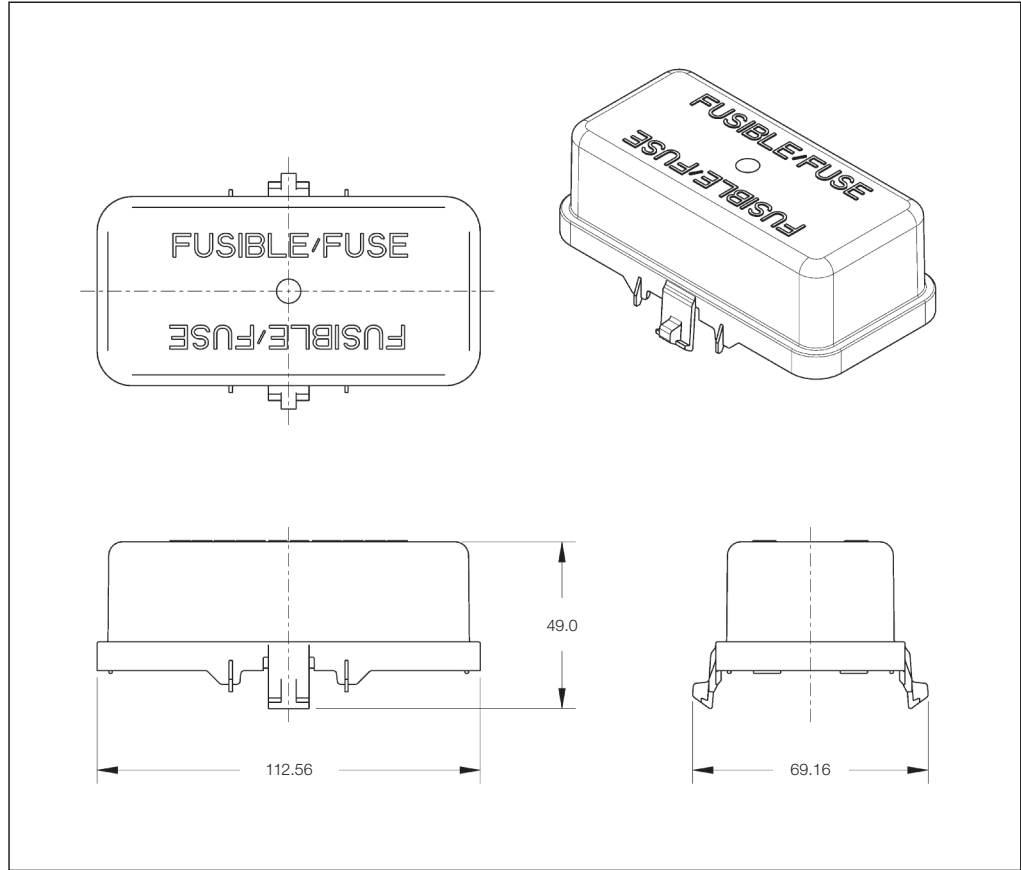
60 Position Fuse and Relay Box

Applications

- Electric and Hybrid Vehicles
- Truck and Bus Segments
- Motorcycles
- Construction and Agriculture Vehicles
- Marine
- AVT, Personal Water Craft and Snowmobiles

Technical Features

- Designed for 2.8 mm Plug-In Components
- Utilizes Sealed AMP MCP 2.8 mm Receptacle Terminals
- Multiple Mounting Configurations
- 18 AWG SLX – 12 AWG GXL
- Sealed to IP67
- Cover Latch Position Assurance



60 Position Fuse and Relay Box

Part Number	Package Quantity	Description	Color	Applicable Components
1443996-1	–	Cover with Spare Fuse Holders and Top Side Graphic, Standard Height	Black	
1443996-2	–	Cover without Spare Fuse Holders, Standard Height	Black	
1443996-3	–	Cover without Top Side Graphics, Standard Height	Black	
1443996-4	–	Cover without Spare Fuse Holders and without Top Side Graphics, Standard Height	Black	1-968857-1 14–16 AWG AMP MCP 2.8 Contact
2098164-1	–	Cover with Spare Fuse Holders and Top Side Graphic, Raised Height	Black	828905-1 Wire Seal for 1-968857-1
2098164-2	–	Cover without Spare Fuse Holders, Raised Height	Black	828922-1 Cavity Plug
2098164-3	–	Cover without Top Side Graphics, Raised Height	Black	1443998-1 Fuse Removal Tool
2098164-4	–	Cover without Spare Fuse Holders and without Top Side Graphics, Standard Height	Black	