

Insulated Stud Type Junction Blocks

Series JB750-XX

Application:

Insulated non feed-thru stud type junction blocks for discrete or bussed wiring applications

Specifications:

Electrical rating: 30A, 300V

Temperature Rating: 120°C (250°F)

Torque rating: 25 in-lbs max.

Mounting torque: 25 in-lbs max.

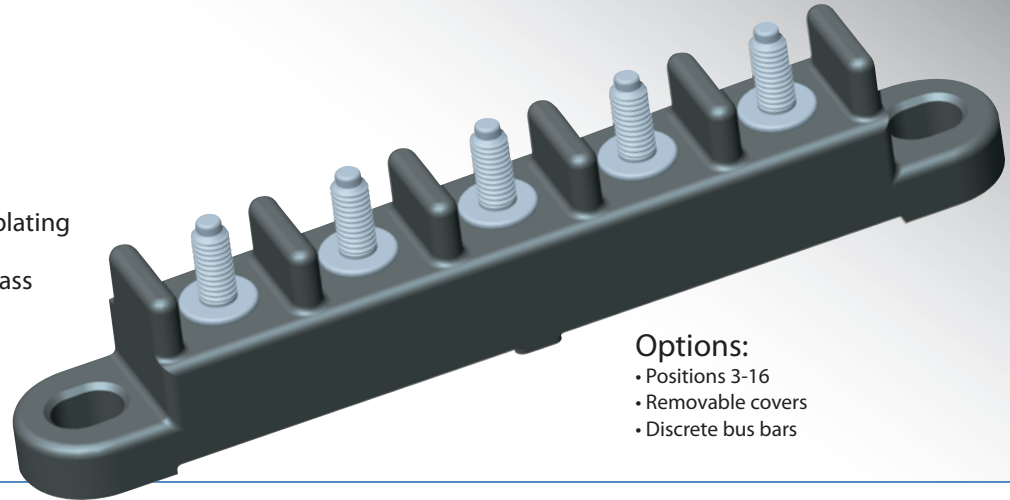
Materials: Body-Nylon 66

Studs: #10-24, steel with zinc plating

Optional cover-PVC

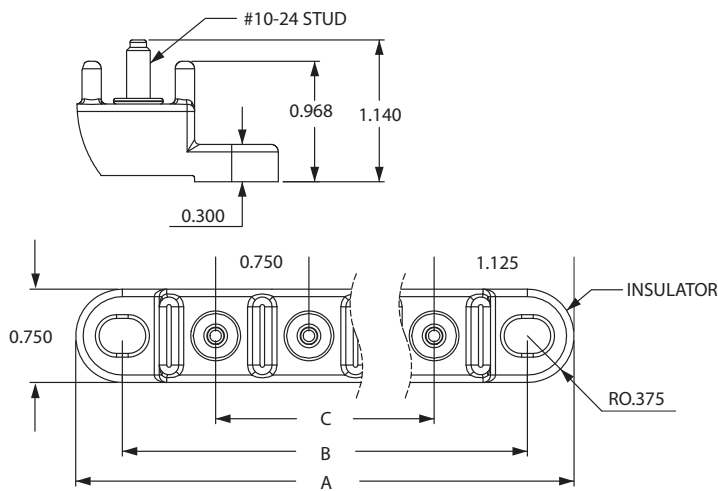
Optional bus bar-Tin plated brass

• RoHS compliant



Options:

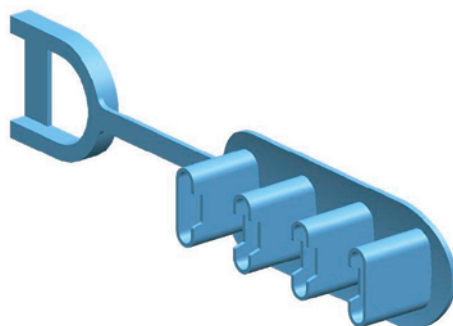
- Positions 3-16
- Removable covers
- Discrete bus bars



PART NO.	ZINC STUD TYPE JUNCTION BLOCK	A	B	C
JB750-3	3 POSITION	3.75	3	1.5
JB750-4	4 POSITION	4.5	3.75	2.25
JB750-5	5 POSITION	5.25	4.5	3
JB750-6	6 POSITION	6	5.25	3.75
JB750-7	7 POSITION	6.75	6	4.5
JB750-8	8 POSITION	7.5	6.75	5.25
JB750-9	9 POSITION	8.25	7.5	6
JB750-10	10 POSITION	9	8.25	6.75
JB750-11	11 POSITION	9.75	9	7.5
JB750-12	12 POSITION	10.5	9.75	8.25
JB750-13	13 POSITION	11.25	10.5	9
JB750-14	14 POSITION	12	11.25	9.75
JB750-15	15 POSITION	12.75	12	10.5
JB750-16	16 POSITION	13.5	12.75	11.25

Cover

Part Number - JB750-XX-C



Bus Bar

Part Number - JB750-XX-B

