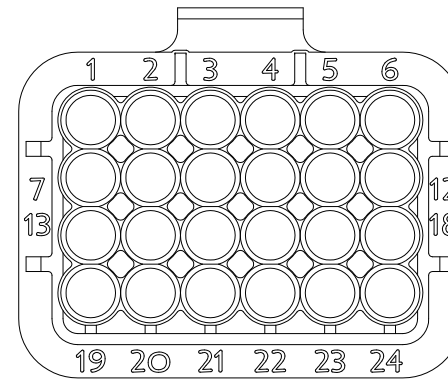


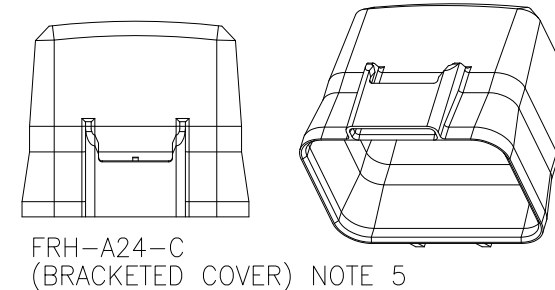
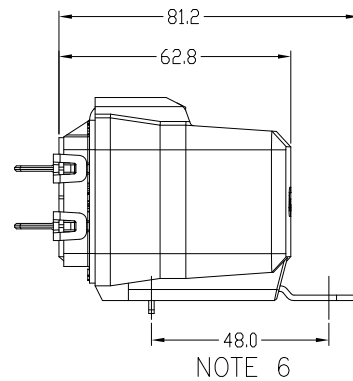
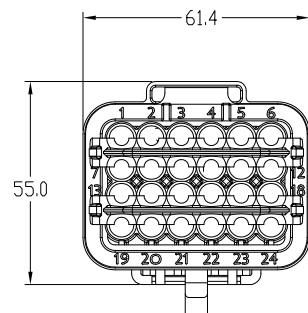
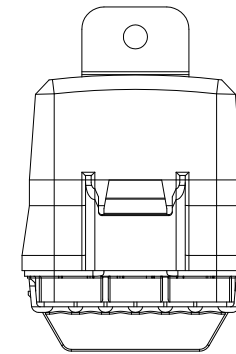
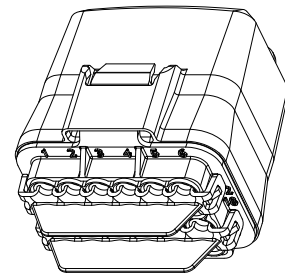
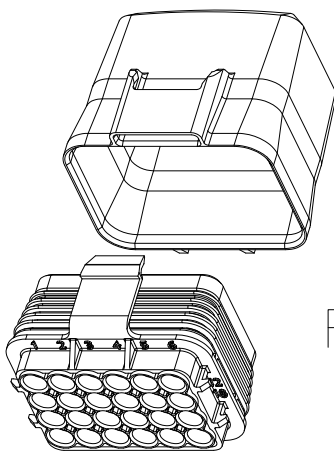
FRH-A24-C

FRH-A24

CAVITY ID



PART NO. FRH-A24-X (SALES)				
TITLE FUSE / RELAY HOLDER				
CUSTOMER STANDARD				
METRIC (MM)				SCALE 1:2
REV #	REVISION	DATE	BY	APPROVED
0	RELEASE FOR PRODUCTION ECO 13187	04-14 2017	RR	JL



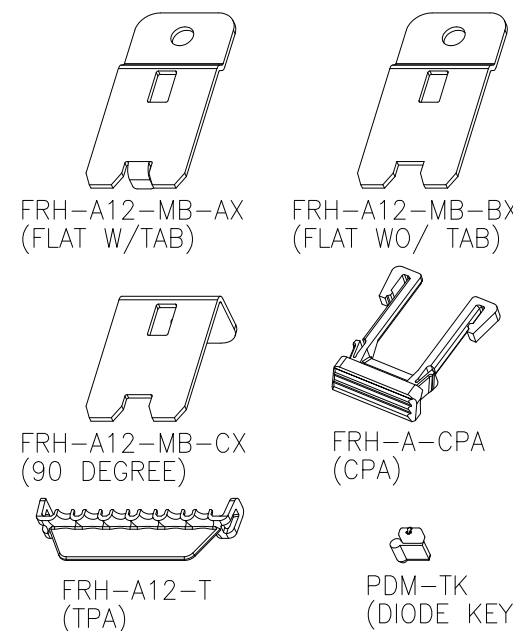
FRH-A24-C (BRACKETED COVER) NOTE 5

TABLE A

TERMINALS / SEALS FOR HOUSING				
DELPHI 280 METRI-PACK TERMINALS				
PART #	RANGE (mm2)	MATERIAL	PLATING	
12077413	5.0	TIN BRASS	TIN	
12129493	2.0-3.0	TIN BRASS	TIN	
12077411	0.8-1.0	TIN BRASS	TIN	
12084201	0.35-0.50	TIN BRASS	TIN	
12176387	5.0	BERYLIUM COPPER	SILVER/NICKEL	
12176388	2.0-3.0	BERYLIUM COPPER	SILVER/NICKEL	
12176389	0.8-1.0	BERYLIUM COPPER	SILVER/NICKEL	
DELPHI 280 METRI-PACK CABLE SEALS				
PART #	PART #	CABLE DIA	MATERIAL	COLOR
REEL	LOOSE			
12015360	12015193	3.45-4.3	SILICONE	BLUE
12015359	12010293	2.81-3.49	SILICONE	LT. GRAY
12015284	12015323	2.03-2.85	SILICONE	GREEN
12041352	12041351	2.03-2.42	SILICONE	TAN
12089444	12089679	1.6-2.15	SILICONE	PURPLE
12034365	12015899	1.29-1.70	SILICONE	DK. RED
	12010300	PLUG	SILICONE	GREEN

COMPONENTS

DESCRIPTION	PART #
HOUSING WITH SEAL	FRH-A24
COVER-BRACKETED	FRH-A24-C
MOUNTING BRACKET(A) - FLAT W/ANTI ROTATION TAB (PLATED STEEL)	FRH-A12-MB-A1
MOUNTING BRACKET(A) - FLAT W/ANTI ROTATION TAB (STAINLESS STEEL)	FRH-A12-MB-A2
MOUNTING BRACKET(B) - FLAT W/O ANTI ROTATION TAB (PLATED STEEL)	FRH-A12-MB-B1
MOUNTING BRACKET(B) - FLAT W/O ANTI ROTATION TAB (STAINLESS STEEL)	FRH-A12-MB-B2
MOUNTING BRACKET(C) - 90 DEGREE (PLATED STEEL)	FRH-A12-MB-C1
MOUNTING BRACKET(C) - 90 DEGREE (STAINLESS STEEL)	FRH-A12-MB-C2
CPA	FRH-A-CPA
TPA	FRH-A12-T
DIODE KEY	PDM-TK



NOTES:

1. BASE & COVER MATERIAL: UNFILLED PBT
2. TPA, CPA, & KEY MATERIAL: UNFILLED NYLON
3. BRACKET MATERIAL: ZINC PLATED STEEL OR STAINLESS STEEL (SEE CHART)
4. DESIGNED TO USE DELPHI 280 METRI-PACK TERMINALS AND SEALS (SEE TABLE A)
5. PICK BRACKET OPTION TO MOUNT ASSEMBLY
6. MOUNTING HOLE TO ANTI-ROTATION TAB DIM.



16830 Pheasant Drive
Brookfield, WI 53005

CONFIDENTIAL - The information contained in this document is the property of GEP Power Products. It is not for public disclosure. Possession of the information does not convey any right to loan, sell or disclose the information. Unauthorized reproduction or use of the information is prohibited. This document is to be returned to GEP Power Products upon completion of the purpose for which it is loaned or upon request.

COPYRIGHT - GEP Power Products
This is an unpublished work. The disclosure of this work is limited to a select personnel. Further dissemination or disclosure to the public is PROHIBITED. This unpublished work is protected by Federal Copyright law and all rights thereunder are reserved by GEP Power Products.

TOLERANCES UNLESS OTHERWISE SPECIFIED		THIRD ANGLE PROJECTION
METRIC TOL	ENGLISH TOL	
1 PL DEC.=±.25	2 PL DEC.=±.01	ANGULAR TOL= ±2° FRACTION TOL= ± 1/64 IN
2 PL DEC.=±.13	3 PL DEC.=±.005	