

CTS 2.8 SEALED SERIES



CTS 2.8 2W, 3W Female

CTS FAMILY BENEFITS

- Heavy-duty performance
- Ergonomic design
- Robust contact geometry

2.8 SEALED SERIES FEATURES

- Compliant with USCAR design guidelines and performance standards
- Industry standard footprint
- Superior single-piece housing construction
- Independent Secondary Lock (ISL) to detect partially installed terminals



AVAILABLE CONFIGURATIONS

Cavity Count (ways)	2, 3, 4
Cavity Configuration	2.8 mm
Genders	Female
Sealing Type	Single wire seal
Centerline Spacing	5.0 mm



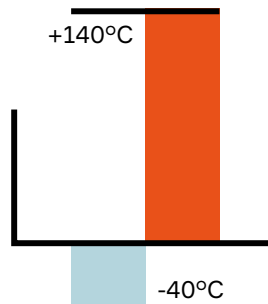
APPLICATIONS

On-engine sensors

See back page for representative part numbers and packaging dimensions.



TEMPERATURE



VIBRATION



ENVIRONMENTAL PROTECTION



About Aptiv

Aptiv is a global technology company that develops safer, greener and more connected solutions enabling the future of mobility. Headquartered in Dublin, Aptiv has approximately 150,000 employees and operates 14 technical centers, as well as manufacturing sites and customer support centers in 45 countries.

Visit aptiv.com

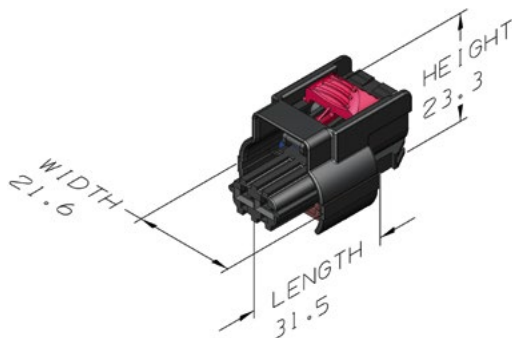


Cavity count	Blade size (mm)	Gender	Dimensions WxHxL (mm)	Part number	Index	Color	Indexes offered
2	2.8	F	21.6 x 23.3 x 31.5	35182447	A	Black	B, C, D
3	2.8	F	26.6 x 25.8 x 31.5	33230780	A	Black	B, C, D
4	2.8	F	31.6 x 27.8 x 31.5	33230787	A	Black	B, C, D

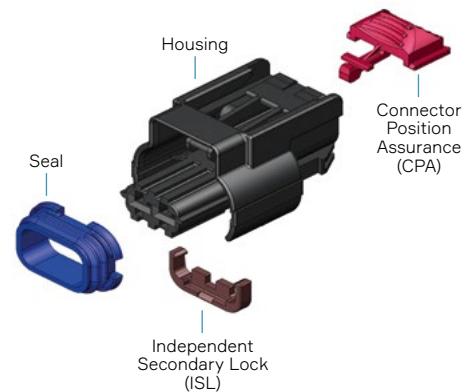
COMPATIBLE WIRE SEALS & PLUGS

Type	Applicable Wire Size (mm ²)	Temperature Rating	Color	Part number
Wire Seal	0.35 – 0.75	150°C	Blue	35034194
Wire Seal	1.00 – 1.50	150°C	Gray	35034363
Wire Seal	2.00 – 2.50	150°C	Green	35034195
Wire Seal	0.50 – 1.00	125°C	Green	13948585
Wire Seal	1.50 – 2.00	125°C	Blue	13791654

DIMENSION MEASUREMENT SAMPLE



EXPLODED VIEW



COMPATIBLE WITH



Part numbers, specifications, dimensions and performance data in this document are for general references only and are subject to change without notice. To verify product information, please contact an Aptiv representative.

CS-SP54-CTS-En0918