

10 9 8 7 6 5 4 3 2 1

F

F

E

E

D

D

C

C

B

B

A

A



53261-****	WAFER ASSY	MODEL NO./MATERIAL NO.
50079-****	TERMINAL	
51021-****	HOUSING	

RELEASED EC NO: J2006-2426 DRWN: A0YAGI 2006/02/02 CHKD: YMAEDA 2006/02/03 APPR: NUKITA 2006/02/07	GENERAL TOLERANCES (UNLESS SPECIFIED)		DIMENSION STYLE MM ONLY		SCALE ---	DESIGN UNITS METRIC	THIRD ANGLE PROJECTION	
	10 UNDER	± ---	DRAWN BY Y. A0YAGI	DATE 2006/01/30	TITLE 1.25 W-TO-B CONN. 51021,53261 MATING CROSS SECTION			
	10 OVER 30 UNDER	± ---	CHECKED BY Y. MAEDA	DATE 2006/01/30	MOLEX INCORPORATED			
	30 OVER	± ---	APPROVED BY N. UKITA	DATE 2006/01/30	MATERIAL NO. SEE CHART			
	ANGULAR	± --- °	DRAFT WHERE APPLICABLE MUST REMAIN WITHIN DIMENSIONS		DOCUMENT NO. SD-51021-002		SHEET NO. 1 OF 1	

9

8

7

6

5

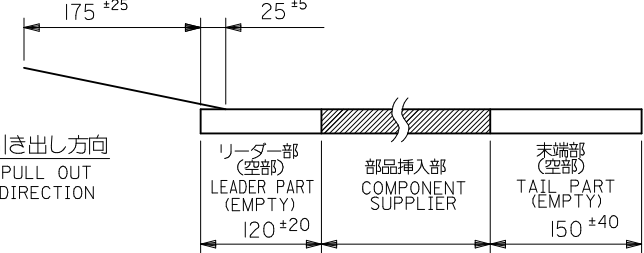
4

3

2

注記
NOTES

- 53261-**-19 の詳細寸法については図面 SD-53261-024 を参照下さい。
RE DETAILED DIMENSIONS, SEE SD-53261-024
- 梱包数量: 1000個/リール
NUMBER OF CONNECTOR: 1000PCS/REEL
- リードテープ長さ LEAD TAPE LENGTH
トップテープリーダー部 TOP TAPE LEADER PART
トップテープ未接着部 TOP TAPE NON-BONDED PART



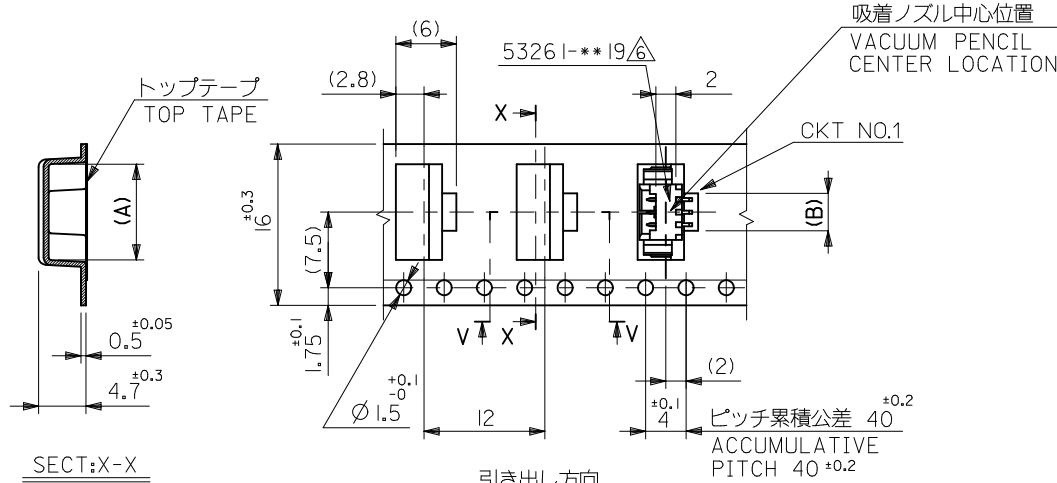
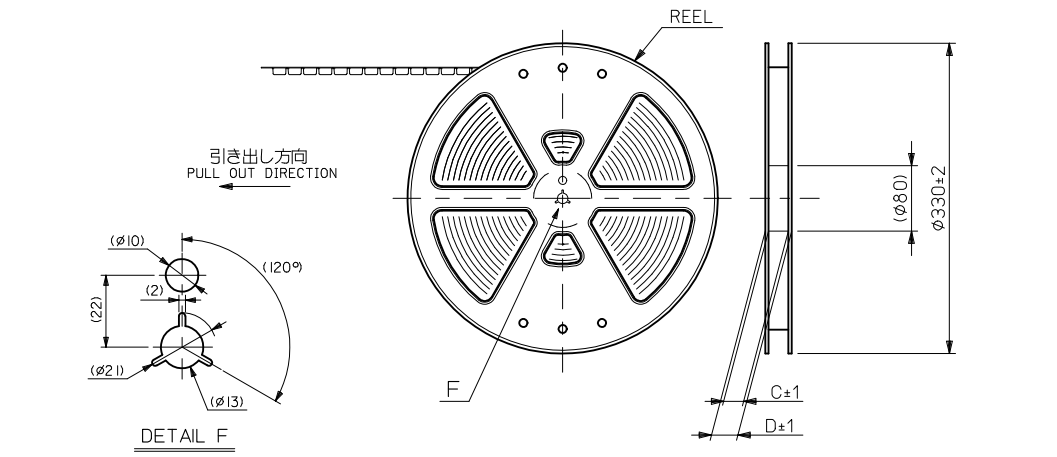
- 材料 (MATERIAL)
キャリアテープ (CARRIER TAPE): ポリプロピレン (POLYPROPYLENE)
トップテープ (TOP TAPE): PET, PE, PEF
リール (REEL): ポリスチレン (PS) <リサイクル材含む>
POLYSTYRENE (PS) <RECYCLE MATERIAL CONTAINED>

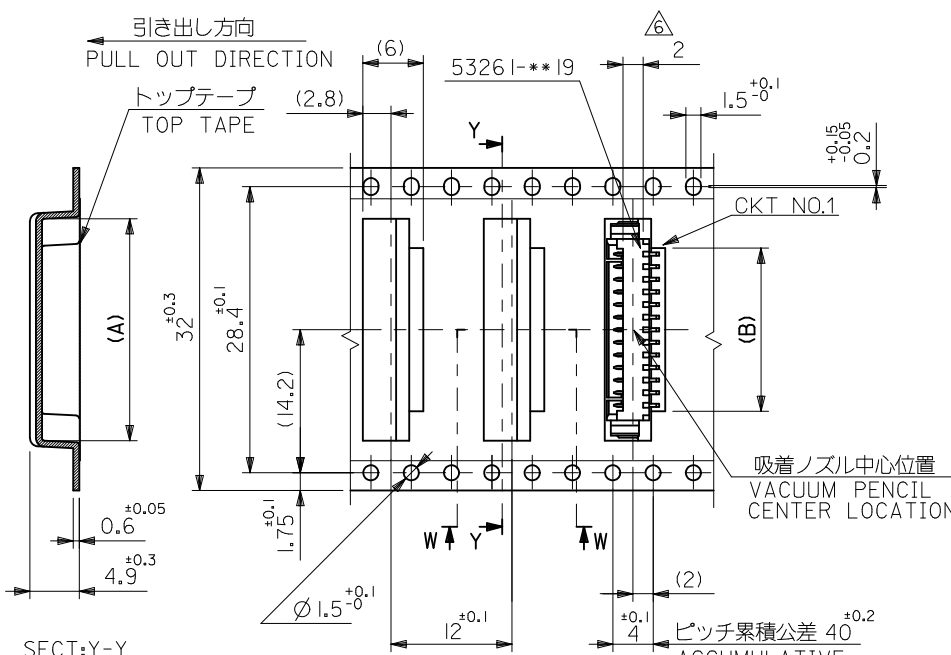
△ コネクタ、ハウジング平面部
CONNECTOR, HOUSING FLAT AREA

- 本製品は 53261-**-90 の鉛フリー品である。
THIS PRODUCT IS LEAD FREE OF 53261-**-90
- ELV及びRoHS適合品
ELV AND RoHS COMPLIANT
- 本製品は乾燥剤入り、ハイバリア梱包仕様である。
THIS PRODUCT IS HIGH BARRIER PACKAGE WITH DESICCANT.

16	21.4	17.4	3.7	9.5	53261-0371	3				
			2.45	8.25	53261-0271	2				
キャリアテープ幅 CARRIER TAPE WIDTH					D	C	B	A	EMBOSSD TAPE PACKAGE オーダー番号 ORDER NO.	極数 CKT.

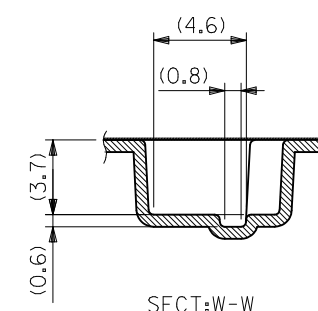
REVISED EC NO: D REV	DESCRIPTION 2010/02/17 DRWN: YGOTO CHKD: KASAKAWA APPR:	GENERAL TOLERANCES (UNLESS SPECIFIED)		DIMENSION STYLE MM ONLY		SCALE ---	DESIGN UNITS METRIC	THIRD ANGLE PROJECTION		
		10 UNDER	±0.2	DRAWN BY H. SHIMABUKUR	DATE '04/02/06	TITLE 1.25 W/B CONN WAFER ASSY FOR SMT EMBSTP PKG				
		10 OVER 30 UNDER	±0.25	CHECKED BY K. TOJO	DATE '04/02/06	APPROVED BY NUKITA 2010/02/18				
		30 OVER	±0.3	MATERIAL NO. SEE TABLE & SHEET 2,3		DOCUMENT NO. SD-53261-023		SHEET NO. 1 OF 3		
ANGULAR ±3 °		DRAFT WHERE APPLICABLE MUST REMAIN WITHIN DIMENSIONS		THIS DRAWING CONTAINS INFORMATION THAT IS PROPRIETARY TO MOLEX INCORPORATED AND SHOULD NOT BE USED WITHOUT WRITTEN PERMISSION						



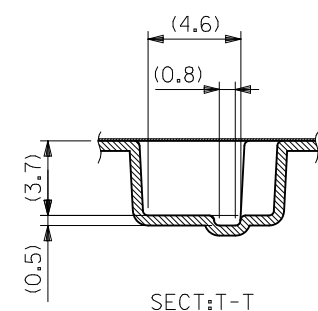


SECT:Y-Y

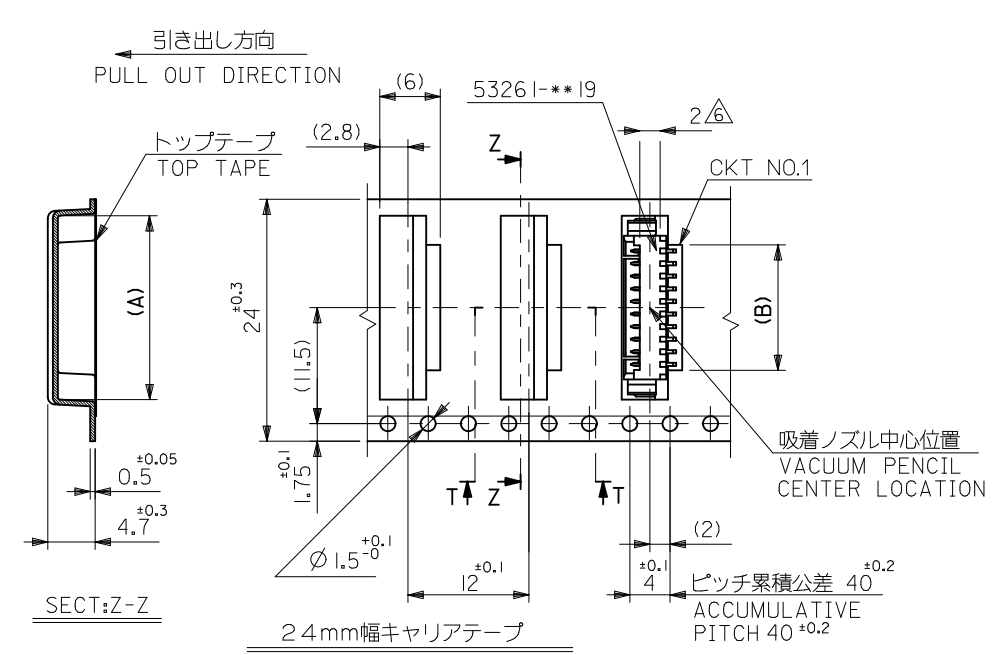
32mm幅キャリアテープ
32mm WIDTH CARRIER TAPE



SECT:W-W



SECT:T-T



SECT:Z-Z

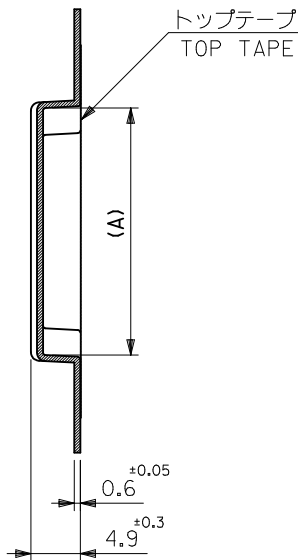
24mm幅キャリアテープ
24mm WIDTH CARRIER TAPE

32	37.4	33.4	16.2	22	53261-1371	13
			14.95	20.75	-1271	12
24	29.4	25.4	13.7	19.5	-1171	11
			12.45	18.25	-1071	10
			11.2	17	-0971	9
			9.95	15.75	-0871	8
			8.7	14.5	-0771	7
			7.45	13.25	-0671	6
			6.2	12	-0571	5
4.95	10.75	53261-0471	4			

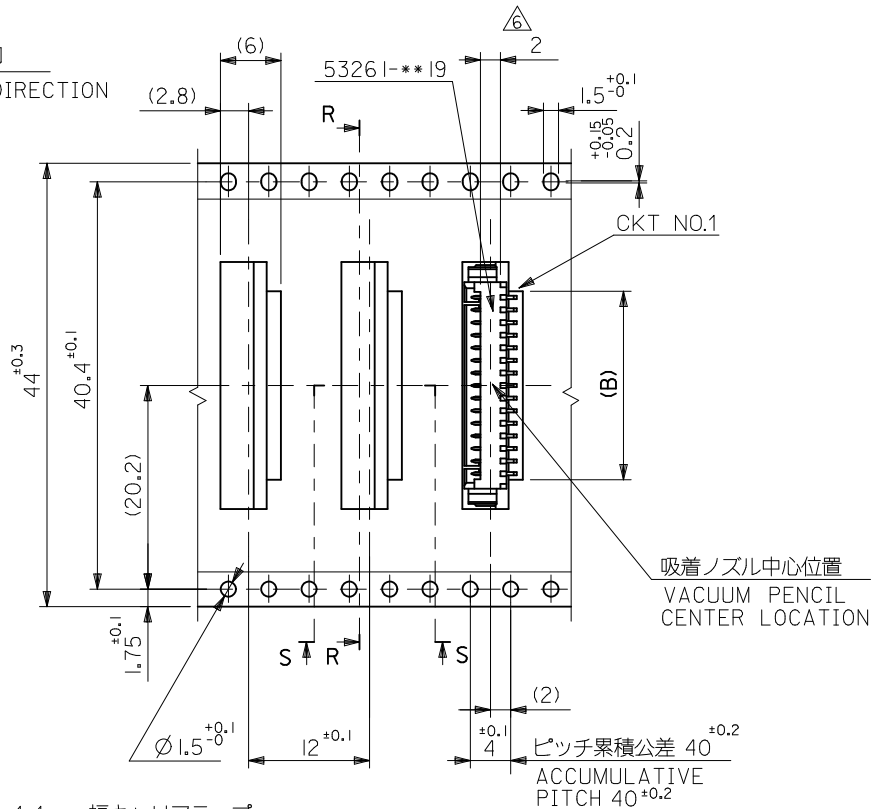
キャリアテープ幅 CARRIER TAPE WIDTH	D	C	B	A	EMBOSSD TAPE PACKAGE	極数 CKT.
--------------------------------	---	---	---	---	----------------------	------------

MODEL NO.	53261-***71	DIMENSION STYLE	MM ONLY	SCALE	DESIGN UNITS	METRIC	THIRD ANGLE PROJECTION
REVISED	2010/02/17	GENERAL TOLERANCES (UNLESS SPECIFIED)	10 UNDER ±0.2	DRAWN BY	DATE	TITLE	1.25 W/B CONN WAFER ASSY FOR SMT EMBSTP PKG
EC NO:	D	10 OVER 30 UNDER ±0.25	CHECKED BY	H. SHIMABUKUR	'04/02/06	MOLEX INCORPORATED	
DRWN:	YG010	30 OVER ±0.3	APPROVED BY	K. TOJO	'04/02/06		DOCUMENT NO.
CHKD:	KASAKAWA	ANGULAR ±3 °	MATERIAL NO.	NUKITA	2010/02/18	SEE TABLE & SHEET 1.3	SHEET NO.
APPR:		DRAFT WHERE APPLICABLE MUST REMAIN WITHIN DIMENSIONS	SIZE	A3	THIS DRAWING CONTAINS INFORMATION THAT IS PROPRIETARY TO MOLEX INCORPORATED AND SHOULD NOT BE USED WITHOUT WRITTEN PERMISSION		

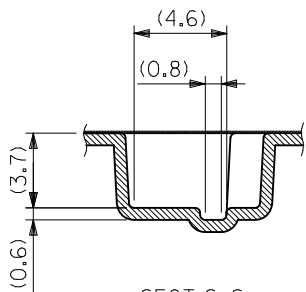
引き出し方向
PULL OUT DIRECTION



SECT:R-R



44mm幅キャリアテープ
44mm WIDTH CARRIER TAPE



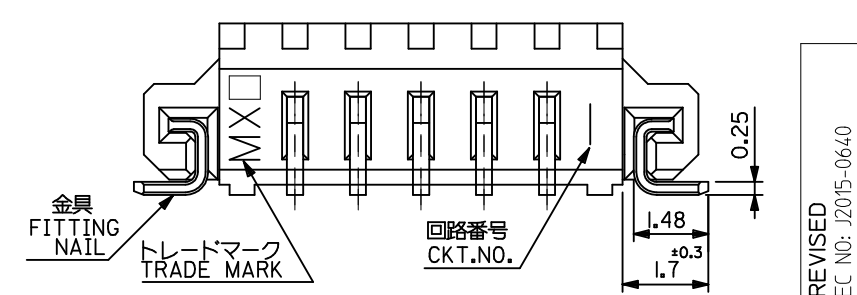
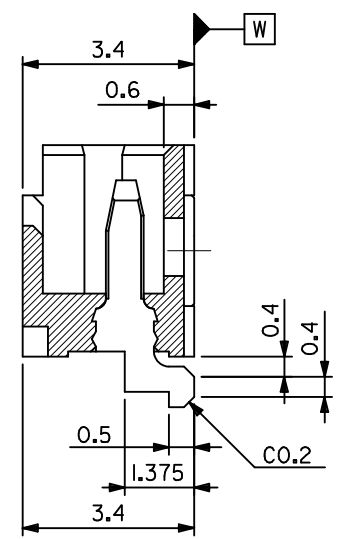
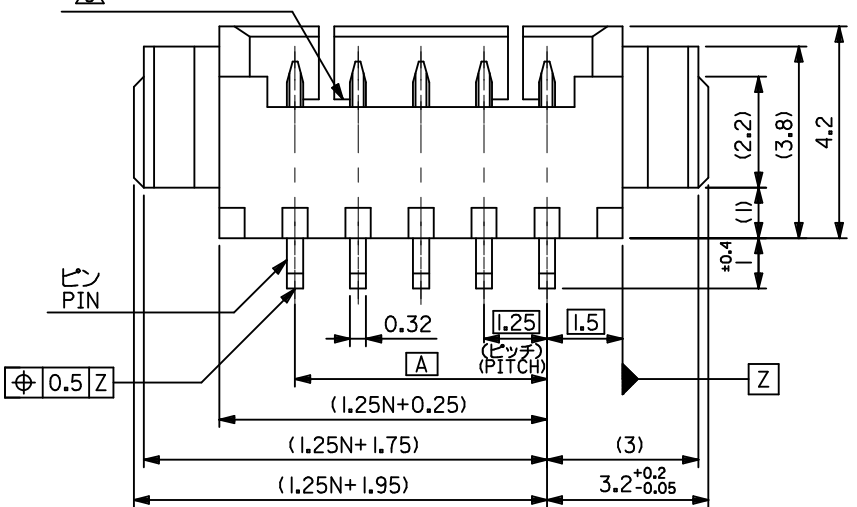
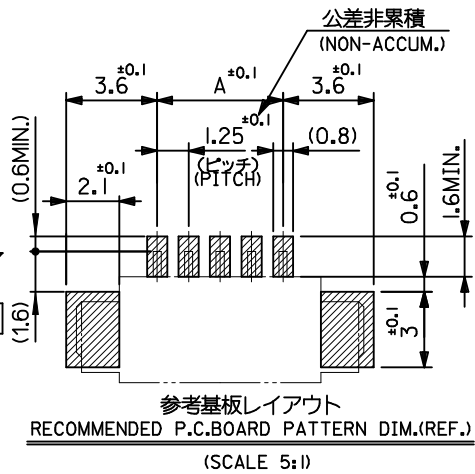
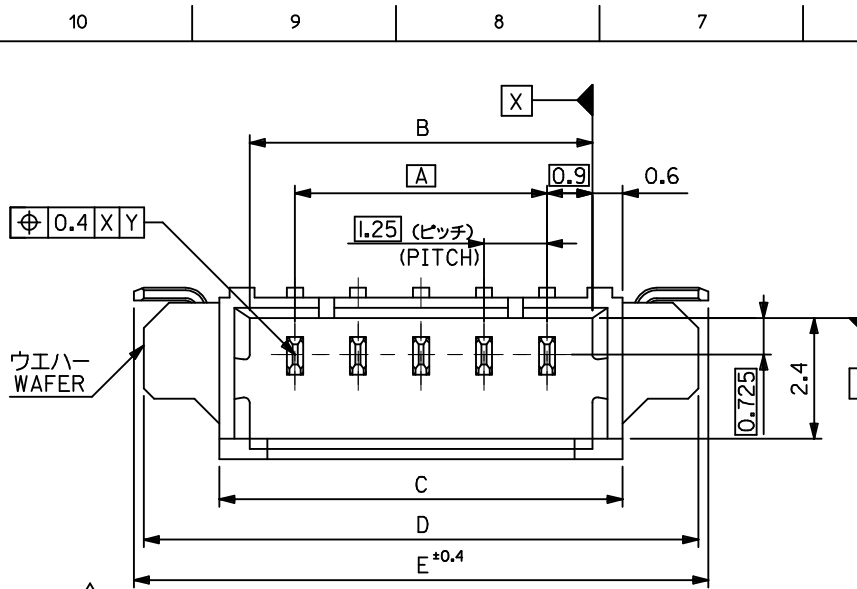
SECT:S-S

44	49.4	45.4	18.7	24.5	53261-1571	15
			17.45	23.25	53261-1471	14
キャリアテープ幅 CARRIER TAPE WIDTH	D	C	B	A	EMBOSSD TAPE PACKAGE オーダー番号 ORDER NO.	極数 CKT.

MODEL NO.	53261-***71	DIMENSION STYLE MM ONLY		SCALE ---	DESIGN UNITS METRIC	THIRD ANGLE PROJECTION	
REVISED EC NO: D DRWN:Y.GOTO CHKD:KASAKAWA APPR: REV	DESCRIPTION	GENERAL TOLERANCES (UNLESS SPECIFIED)		DRAWN BY H. SHIMABUKUR		DATE '04/02/06	
		10 UNDER	±0.2	CHECKED BY K. TOJO		DATE '04/02/06	
		10 OVER 30 UNDER	±0.25	APPROVED BY NUKITA		DATE 2010/02/18	
		30 OVER	±0.3	MATERIAL NO. SEE TABLE & SHEET 12		DOCUMENT NO. SD-53261-023	
		ANGULAR	±3 °	SIZE A3		SHEET NO. 3 OF 3	
		DRAFT WHERE APPLICABLE MUST REMAIN WITHIN DIMENSIONS					
THIS DRAWING CONTAINS INFORMATION THAT IS PROPRIETARY TO MOLEX INCORPORATED AND SHOULD NOT BE USED WITHOUT WRITTEN PERMISSION							

TITLE
1.25 W/B CONN WAFER ASSY
FOR SMT EMBSTP PKG

MOLEX INCORPORATED



注記 NOTES

- 嵌合相手: 51021 シリーズ
MATES WITH: 51021 SERIES
- 材質 MATERIAL
ウエハー: NYLON46, UL94V-0
ピン: リン青銅
PIN: PHOS-BRO
銅メッキ: 1.0 マイクロメートル以上
TIN: 1.0 MICROMETER MINIMUM
ニッケル下地: 1.0 マイクロメートル以上
NICKEL(UNDER PLATING): 1.0 MICROMETER MINIMUM
金具: リン青銅
FITTING NAIL: PHOS-BRO
銅メッキ: 1.0 マイクロメートル以上
TIN: 1.0 MICROMETER MINIMUM
ニッケル下地: 1.0 マイクロメートル以上
NICKEL(UNDER PLATING): 1.0 MICROMETER MINIMUM
- ロック窓は2, 3極は1箇所, 4極以上は2箇所とする。
LOCKING WINDOW: ONE PLACE FOR 2 AND 3 CKT. AND TWO PLACES FOR MORE THAN 3 CKT.
- ソルダーテール部のスレ量及び金具(補強板)のスレ量は基準面 [W] に対し、上方向 0.05 MAX., 下方向に 0.1 MAX. とする。 [W] OFFSET BETWEEN BASIS PLANE TO SOLDER TAIL BOTTOM AND FITTING NAIL BOTTOM:
UPPER SIDE: 0.05 MAX.
LOWER SIDE: 0.1 MAX.
- 本製品は 53261-**-**10 の鉛フリー品である。
THIS PRODUCT IS LEAD FREE OF 53261-**-**10
- ELV 及び RoHS 適合品
ELV AND RoHS COMPLIANT.

26.4	26	23	21.8	20	53261-1771	53261-1719	17	
23.9	23.5	20.5	19.3	17.5	-1571	-1519	15	
22.65	22.25	19.25	18.05	16.25	-1471	-1419	14	
21.4	21	18	16.8	15	-1371	-1319	13	
20.15	19.75	16.75	15.55	13.75	-1271	-1219	12	
18.9	18.5	15.5	14.3	12.5	-1171	-1119	11	
17.65	17.25	14.25	13.05	11.25	-1071	-1019	10	
16.4	16	13	11.8	10	-0971	-0919	9	
15.15	14.75	11.75	10.55	8.75	-0871	-0819	8	
13.9	13.5	10.5	9.3	7.5	-0771	-0719	7	
12.65	12.25	9.25	8.05	6.25	-0671	-0619	6	
11.4	11	8	6.8	5	-0571	-0519	5	
10.15	9.75	6.75	5.55	3.75	-0471	-0419	4	
8.9	8.5	5.5	4.3	2.5	-0371	-0319	3	
53261-**-**19	7.65	7.25	4.25	3.05	1.25	53261-0271	53261-0219	2

REVISED EC NO: J2015-0640 2014/11/12
DRWN: YAKE 2014/11/12
CHKD: KASAKAWA 2014/11/12
APPR: NUKITA 2014/11/17

GENERAL TOLERANCES (UNLESS SPECIFIED)
10 UNDER ±0.2
10 OVER 30 UNDER ±0.25
30 OVER ±0.3
ANGULAR ±3 °
DRAFT WHERE APPLICABLE MUST REMAIN WITHIN DIMENSIONS

DIMENSION STYLE: MM ONLY
SCALE: 10:1
DESIGN UNITS: METRIC
THIRD ANGLE PROJECTION

DRAWN BY: HSHIMABU DATE: 04/02/06
CHECKED BY: KTOJO DATE: 04/02/06
APPROVED BY: MSASAO DATE: 04/02/06

MATERIAL NO. SEE DRAWING
DOCUMENT NO. SD-53261-024
SHEET NO. 1 OF 1

THIS DRAWING CONTAINS INFORMATION THAT IS PROPRIETARY TO MOLEX INCORPORATED AND SHOULD NOT BE USED WITHOUT WRITTEN PERMISSION