

"SHROUDED" Power Feed Block

Series SBD-XXX-X

Application:

Power feed stud block with protective cover that shields against a dead short event

Specifications:

Maximum stud torque - 15 foot lbs.

Maximum mounting torque - 50 inch lbs.

Materials:

Block- Nylon, 30% glass

Cover- Nylon, unfilled

Studs- 304 stainless steel or

Zinc plated steel

Options:

Cover - Red or black

Stud Thread - 3/8"-16 or M10

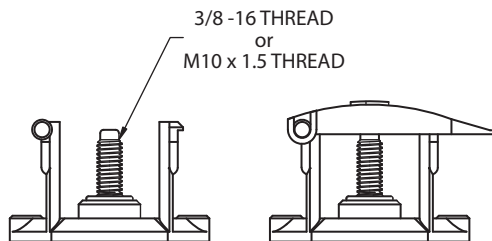
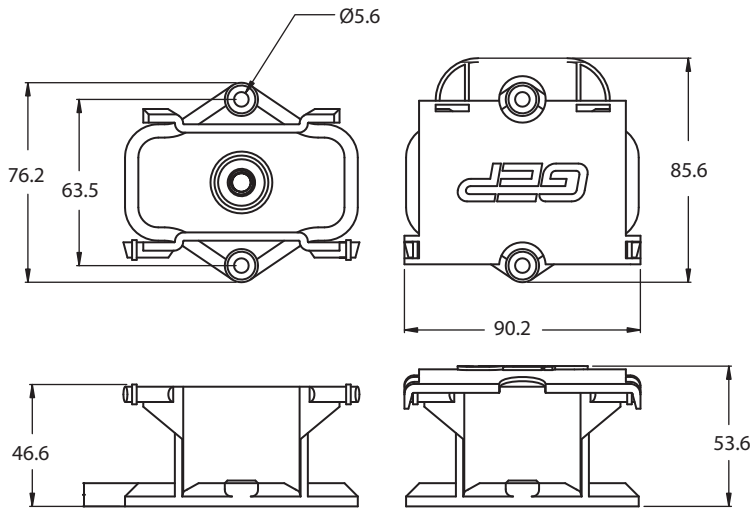
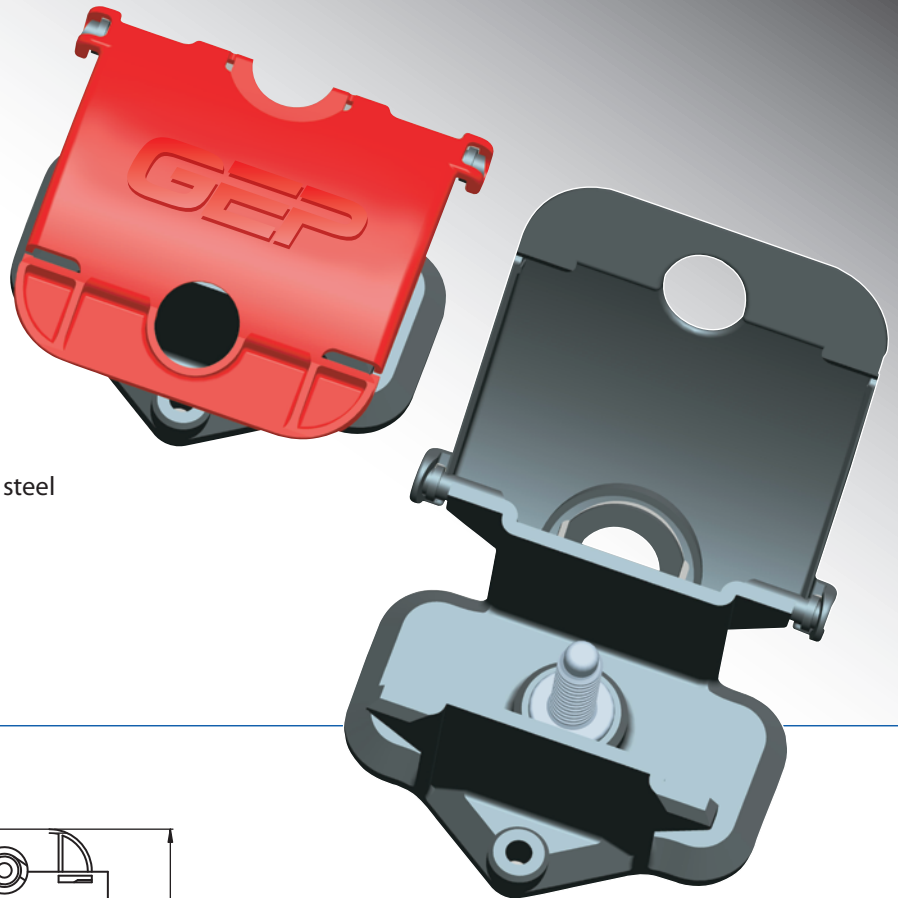
Stud Material - Stainless steel or zinc plated steel

Features:

Integral hinged cover

Long paths to "short"

• RoHS compliant



Part Numbering System:

SBD-XXX-X	—	Cover color (omit if none)
	—	B-black
	—	R-red
	—	Hardware
	—	0-none
	—	1-nuts installed
	—	2-nuts bulk
	—	Stud material
	—	1-steel zinc plated
	—	2-stainless steel
	—	Stud thread
	—	M-metric
	—	U-UTS 3/8-16

® Registered Trademark of the Delphi Corp.