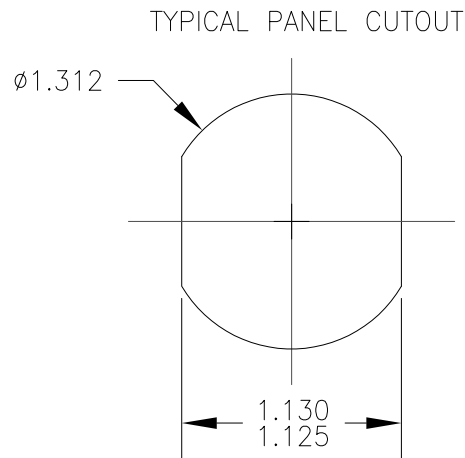
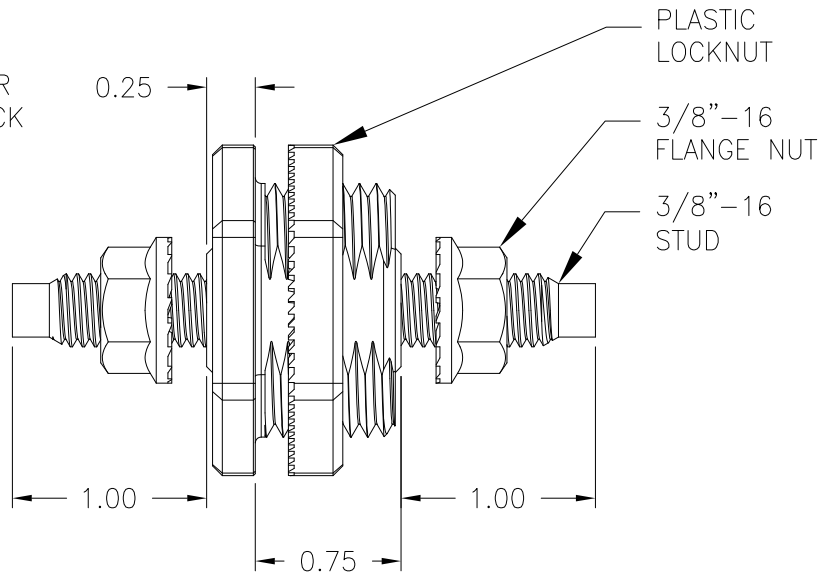
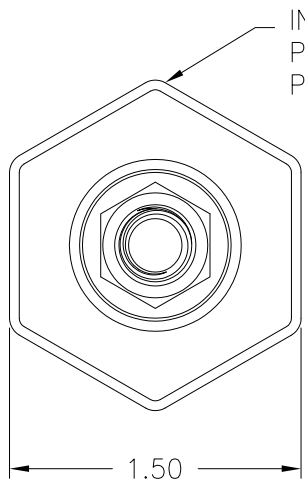


NOTE 7



PART NO. PTX-38L-05 (SALES)			
TITLE PASS-THRU (STYLE L) - 3/8"-16			
ENGLISH (IN)			SCALE FULL
REV #	REVISION	DATE	OK
X0	RELEASED FOR REVIEW	12-09 2011	



- NOTES:
1. ALL DIMENSIONS ARE FOR REFERENCE ONLY.
  2. MOUNTING THREADS ARE 1" -11 1/2 NPSM
  3. MAXIMUM MOUNTING TORQUE-10 FT.LBS.
  4. MAXIMUM TORQUE ON 3/8"-16 STUDS-15 FT.LBS.
  5. CONDUCTIVE CORE & STUDS ARE BRASS.
  6. NUTS ARE ZINC PLATED STEEL
  7. PARTS SUPPLIED AS SHOWN.



16830 Pheasant Drive  
Brookfield, WI 53005

CONFIDENTIAL — The information contained in this document is the property of GEP Power Products. It is not for public disclosure. Possession of the information does not convey any right to loan, sell or disclose the information. Unauthorized reproduction or use of the information is prohibited. This document is to be returned to GEP Power Products upon completion of the purpose for which it is loaned or upon request.

COPYRIGHT — GEP Power Products  
This is an unpublished work. The disclosure of this work is limited to a select personnel. Further dissemination or disclosure to the public is PROHIBITED. This unpublished work is protected by Federal Copyright law and all rights thereunder are reserved by GEP Power Products.

TOLERANCES UNLESS OTHERWISE SPECIFIED	
METRIC TOL	ENGLISH TOL
1 PL DEC.=±.25	2 PL DEC.=±.01
2 PL DEC.=±.13	3 PL DEC.=±.005

THIRD ANGLE PROJECTION
ANGULAR TOL= ±2°
FRACTION TOL= ± 1/64 IN