

1/2" Pass Thru Stud (Patent Pending)

Series PTR-12B-02 (Red Body)
Series PTB-12B-02 (Black Body)

Application:

Military grade, heavy duty power feed for applications through firewalls or bulkhead

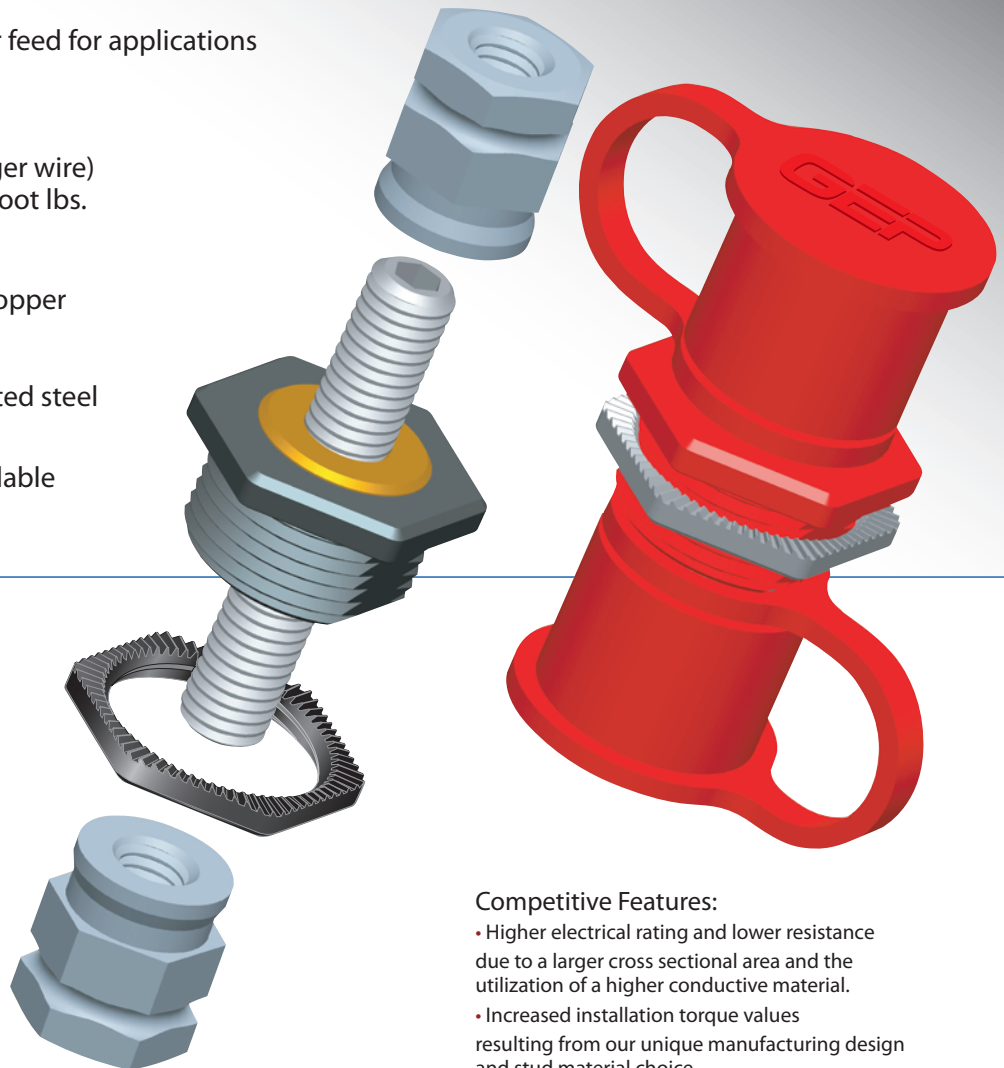
Specifications:

Electrical rating: 500A (4/0 or larger wire)
Torque rating: Retaining Nut-40 foot lbs.
Locknut-10 foot lbs.

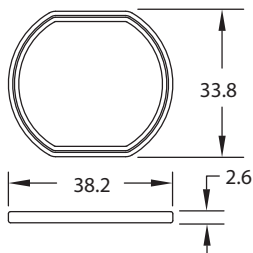
Materials: Body- Nylon 66
Conductive Core- 110 Copper
Studs- Stainless steel
Locknut- Nylon 66
Retaining nuts- Zinc plated steel
Caps- PVC

Optional - Steel locknuts are available

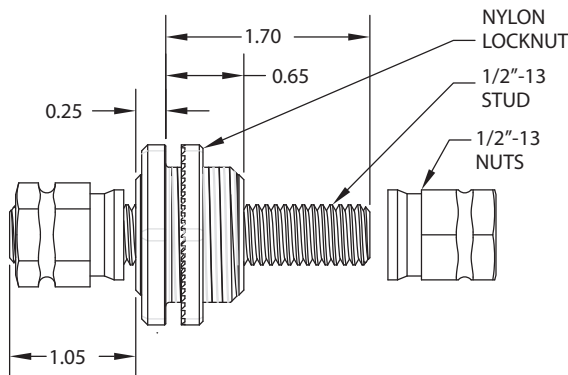
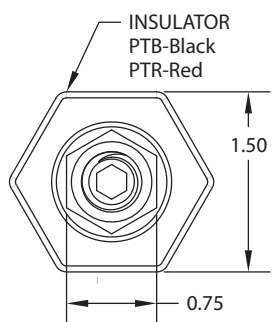
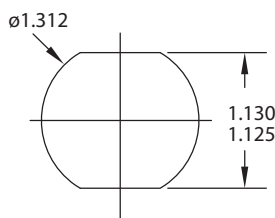
- RoHS compliant



NEW Pass-Thru Seal
C14-1003



Typical Panel Cutout



Competitive Features:

- Higher electrical rating and lower resistance due to a larger cross sectional area and the utilization of a higher conductive material.
- Increased installation torque values resulting from our unique manufacturing design and stud material choice.

Standard Part Numbers:

PTR-12B-02 (Red Body/Caps)
PTB-12B-02 (Black Body/Caps)
Standard part configurations include locknut, (2) retaining nuts and (2) caps installed.

* Consult factory for any variations other than stated above