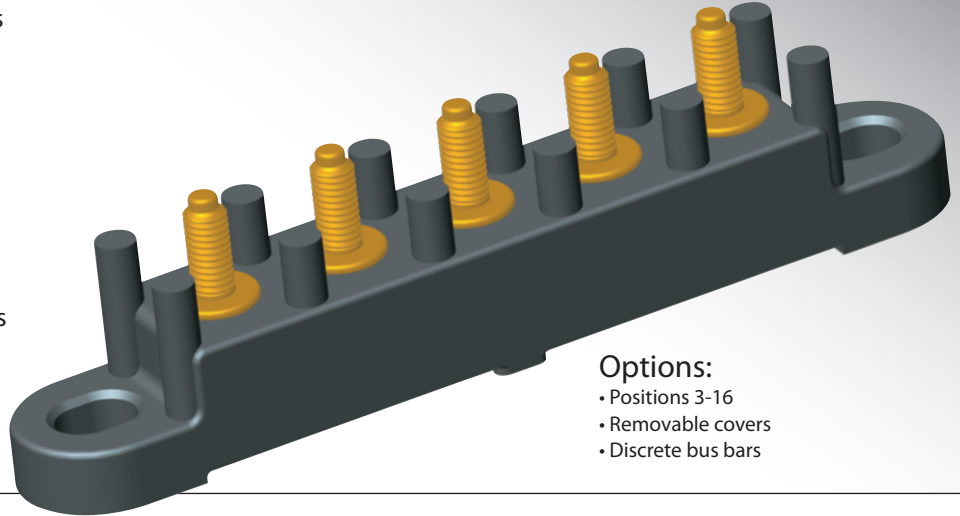


Insulated Stud Type Junction Blocks

Series JB625-XX

Application:
Insulated non feed-thru stud type junction blocks for discrete or bussed wiring applications

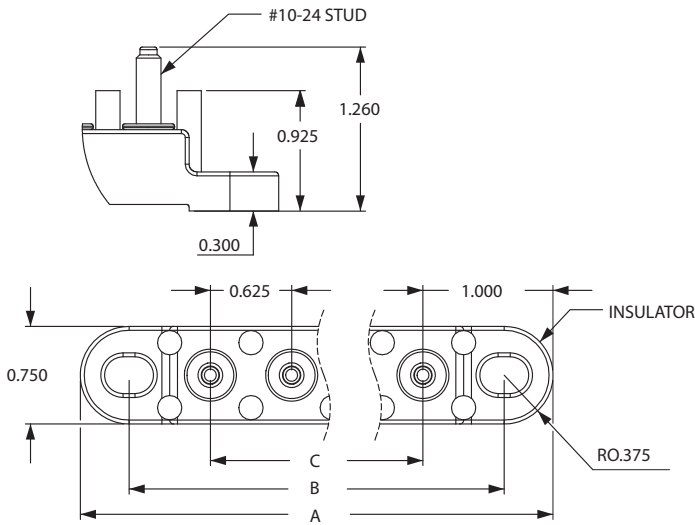
Specifications:
 Electrical rating: 30A, 300V
 Temperature Rating: 120°C (250°F)
 Torque rating: 25 in-lbs max.
 Mounting torque: 25 in-lbs max.
 Materials: Body-Nylon 66
 Studs: #10-24, Brass
 Optional cover-PVC
 Optional bus bar-Tin plated brass



Options:

- Positions 3-16
- Removable covers
- Discrete bus bars

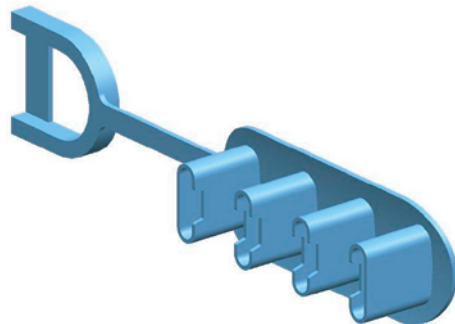
• RoHS compliant



PART NO.	BRASS STUD TYPE JUNCTION BLOCK	A	B	C
JB625-3	3 POSITION	3.25	2.5	1.25
JB625-4	4 POSITION	3.875	3.125	1.875
JB625-5	5 POSITION	4.5	3.75	2.5
JB625-6	6 POSITION	5.125	4.375	3.125
JB625-7	7 POSITION	5.75	5	3.75
JB625-8	8 POSITION	6.375	5.625	4.375
JB625-9	9 POSITION	7	6.25	5
JB625-10	10 POSITION	7.625	6.875	5.625
JB625-11	11 POSITION	8.25	7.5	6.25
JB625-12	12 POSITION	8.875	8.125	6.875
JB625-13	13 POSITION	9.5	8.75	7.5
JB625-14	14 POSITION	10.125	9.375	8.125
JB625-15	15 POSITION	10.75	10	8.75
JB625-16	16 POSITION	11.375	10.625	9.375

Cover

Part Number - JB625-XX-C



Bus Bar

Part Number - JB625-XX-B

