

INMEGA Design Worksheet

Date

Customer

Program

Production Start

Estimated Annual Usage

Part Number

Log Number

Wire Gauge 8AWG 6AWG 4AWG 2AWG 1AWG

Insulation Type Insulation Color

- Fuse Rating (if req'd)
- 100A
 - 125A
 - 150A
 - 175A
 - 200A
 - 225A
 - 250A
 - 300A
 - 350A

*Consult Factory for Higher Amperage Applications

WIRE "A"

WIRE "B"

Length (A)

Strip Length (C)

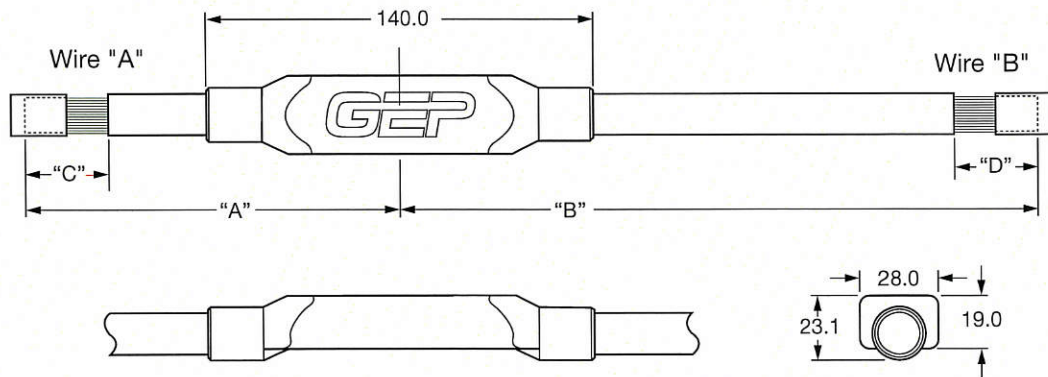
Wire Termination

Length (B)

Strip Length (D)

Wire Termination

Special Instructions



All dimensions are in millimeters and for Reference Only