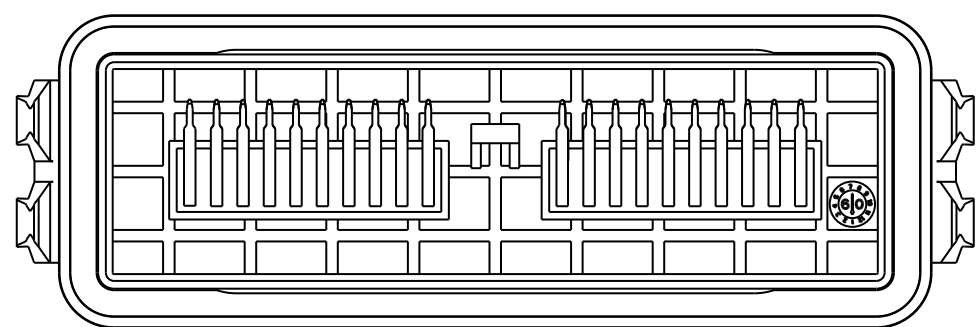
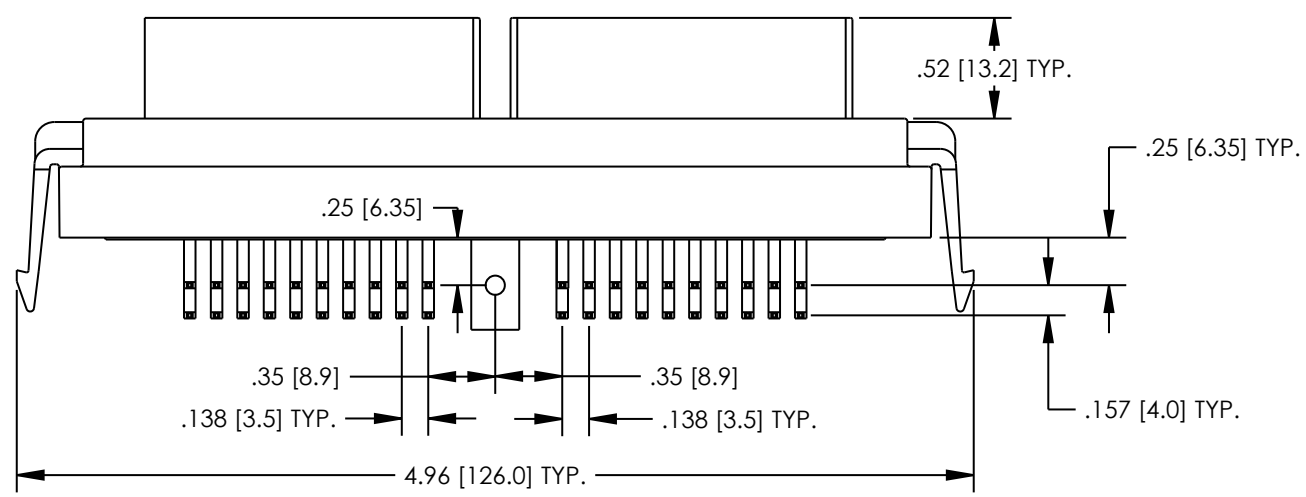
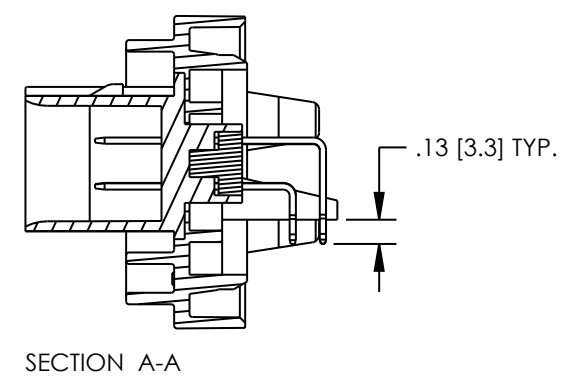
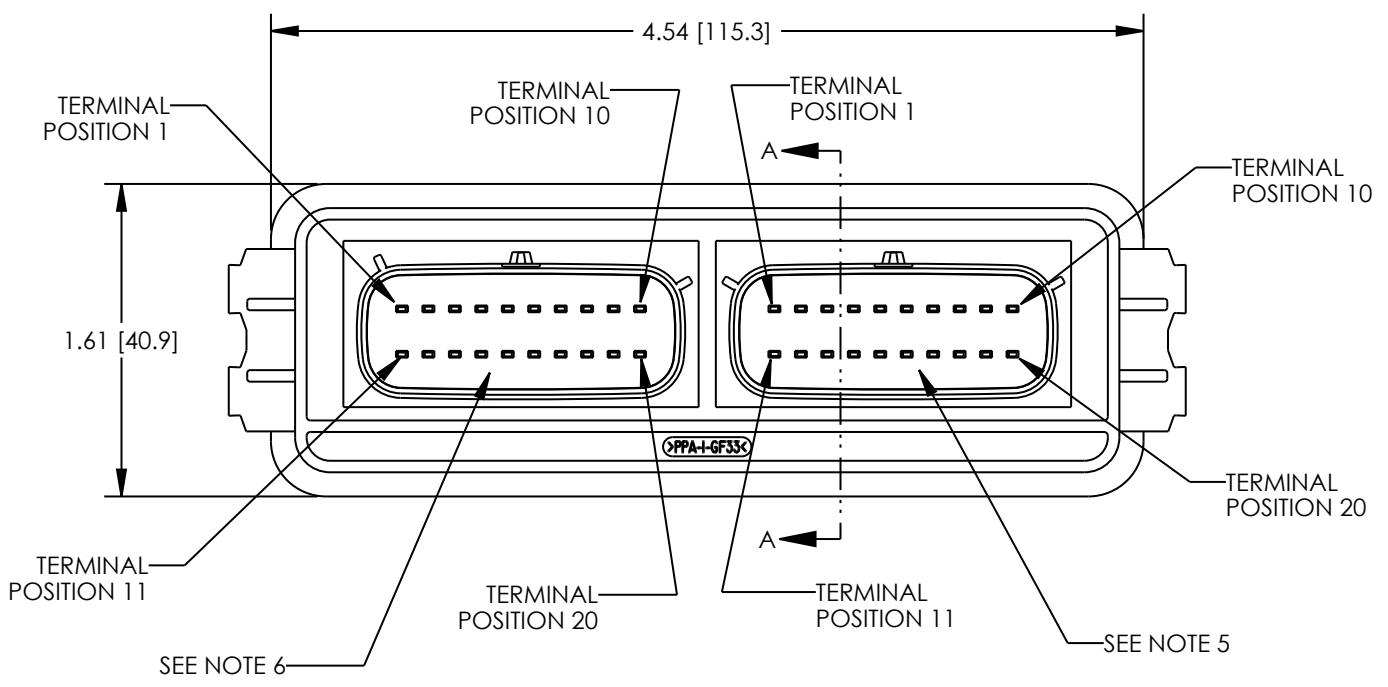


DRAWING REVISIONS (RELEASE DATE ON FILE)			
REV	DOCUMENT	APP	APPROVAL DATE
A	INITIAL RELEASE	KR	7/28/14

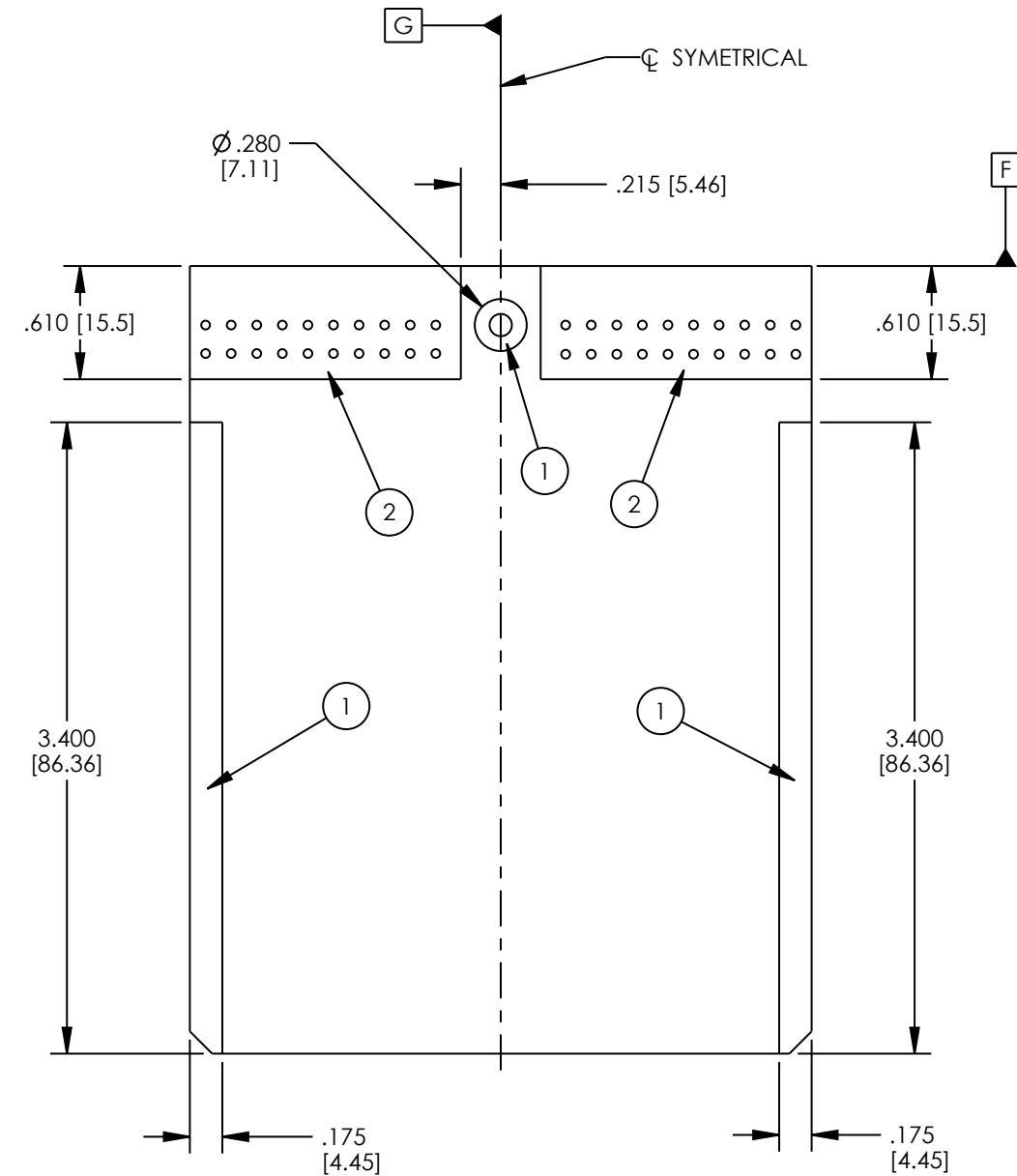
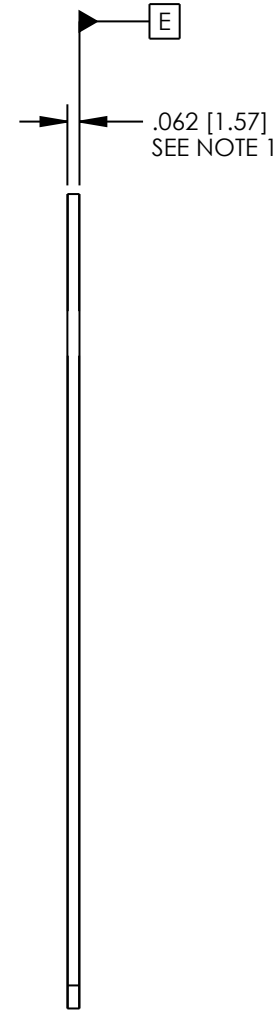
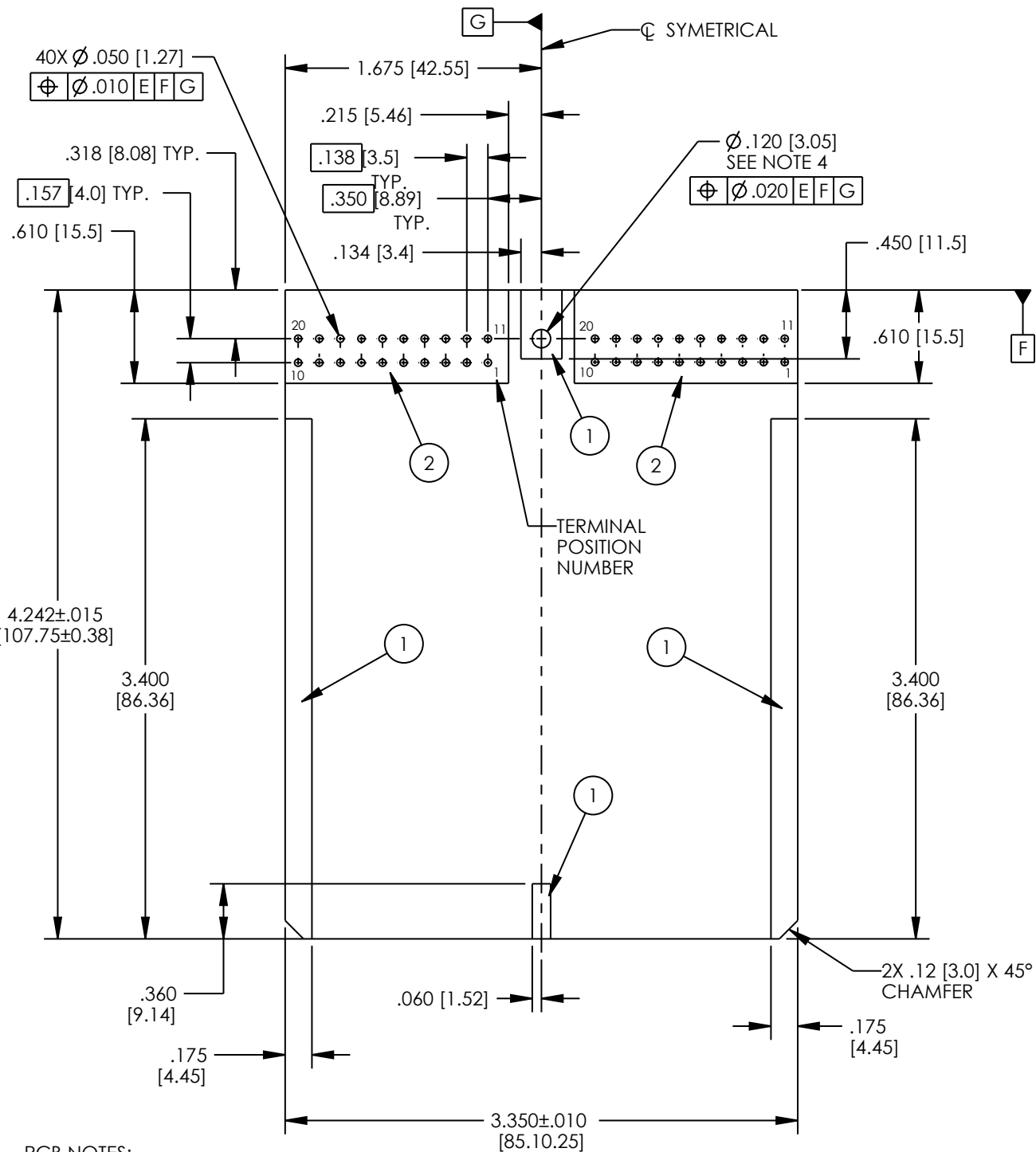


- NOTES:
1. DIMENSIONS ARE IN INCHES EXCEPT DIMENSIONS INSIDE [XX] ARE IN mm. ALL DIMENSIONS ARE FOR REFERENCE ONLY.
 2. MATERIALS:
HEADER INSULATOR: 30% GLASS FILLED POLYMER, COLOR BLACK.
TERMINAL BLADES: 1.5mm BRASS WITH TIN OVER NICKEL PLATING.
 3. HEADERS ARE REFLOW OR WAVE SOLDERING PROCESS ROHS COMPLIANT.
 4. SEE SHEET 2 FOR PCB DETAILS.
 5. RIGHT SIDE MATES WITH MOLEX FEMALE CONNECTOR PART NUMBER 33472-2001 (COLOR BLACK).
 6. LEFT SIDE MATES WITH MOLEX FEMALE CONNECTOR PART NUMBER 33472-2002 (COLOR GRAY).

UNITS: ENGLISH INCHES		PRO/E	CINCH <small>1700 FINLEY RD LOMBARD, IL. 60148</small>		
DO NOT SCALE DRAWING	DESIGN ENGINEER K. ROSBOROUGH	DATE 07/29/14	TITLE MODICE ME-MX 40 POSITION ASSEMBLY		
<small>UNLESS OTHERWISE SPECIFIED: ALL DIMENSIONS ARE IN INCHES</small>	APPROVALS ON FILE		MATERIAL NOTED	CONTROL SPEC NUMBER	
<small>FILLET/RADII .02 MAX.</small>			MATERIAL SPEC NUMBER	FINISH	PROJECT NUMBER A15123
<small>TOLERANCES .X ± .1 .XX ± .01 .XXX ± .005 ANGULAR ± .5°</small>			CAD FILE NUMBER 5810140011S	DRAWING NUMBER 581 01 40 011 S	
<small>CONFIDENTIAL THIS DOCUMENT IS THE PROPERTY OF CINCH. NEITHER THIS DOCUMENT NOR ANY OF THE INFORMATION CONTAINED IN IT MAY BE DUPLICATED OR DISCLOSED WITHOUT PRIOR WRITTEN CONSENT OF CINCH. ©COPYRIGHT 2014 CINCH</small>	CAGE IDENT NO. 71785	SIZE B	SCALE 1:1	SHEET 1 OF 2	

PCB TOP SIDE

PCB BOTTOM SIDE



PCB NOTES:

- 1 SUGGESTED PCB THICKNESS .062 [1.57].
2. AREAS INDICATED BY (1) ARE COMPONENT AND TRACE KEEP OUT AREAS.
3. AREAS INDICATED BY (2) ARE COMPONENT KEEP OUT AREAS.
4. SUGGESTED SCREW TO SECURE PCB TO HEADER: #4 THREAD CUTTING SCREW (TYPE 23 OR SIMILAR) TORQUED TO 2-3 IN-LBS [0.23-0.34 N-m].

UNITS: ENGLISH INCHES		CINCH		1700 FINLEY RD LOMBARD, IL. 60148	
DO NOT SCALE DRAWING		TITLE: MODICE ME-MX 40 POSITION ASSEMBLY			
UNLESS OTHERWISE SPECIFIED: ALL DIMENSIONS ARE IN INCHES		PRO/E DRAWING			
FILLET/RADII .02 MAX.	TOLERANCES .X ± .1 .XX ± .01 .XXX ± .005 ANGULAR ± .5°	CAD FILE NUMBER 5810140011S	DRAWING NUMBER 581 01 40 011S	REV A	
CONFIDENTIAL THIS DOCUMENT IS THE PROPERTY OF CINCH. NEITHER THIS DOCUMENT NOR ANY OF THE INFORMATION CONTAINED IN IT MAY BE DUPLICATED OR DISCLOSED WITHOUT PRIOR WRITTEN CONSENT OF CINCH. ©COPYRIGHT 2014 CINCH		CAGE IDENT NO. 71785	SCALE 1:1	SHEET 2 OF 2	