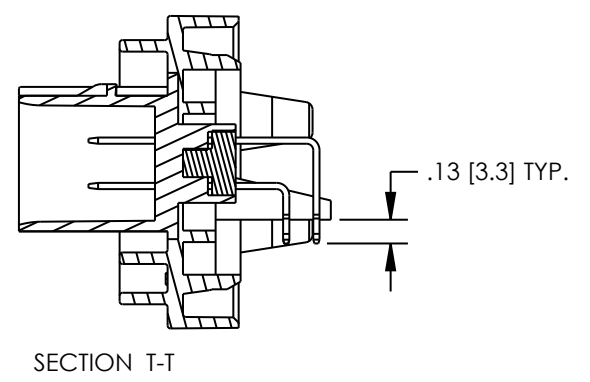
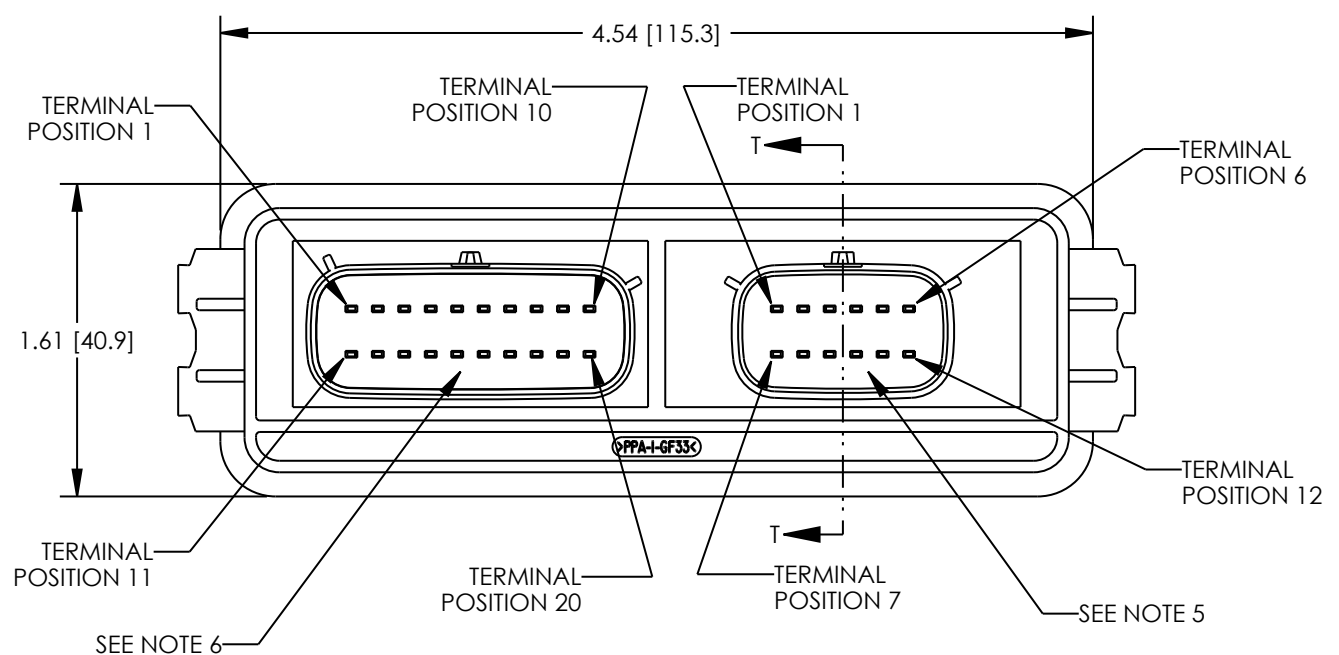
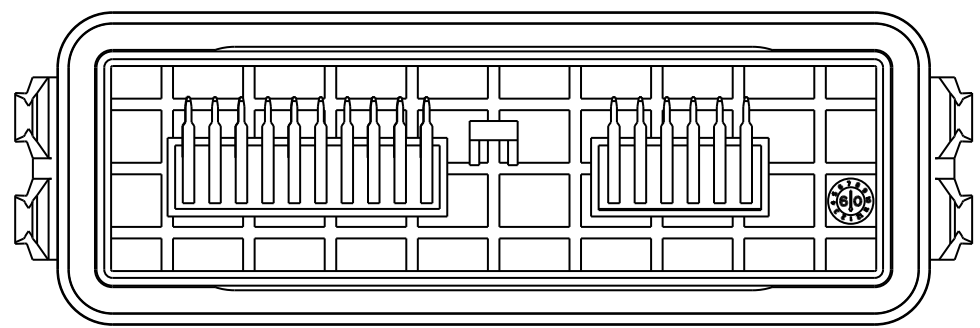
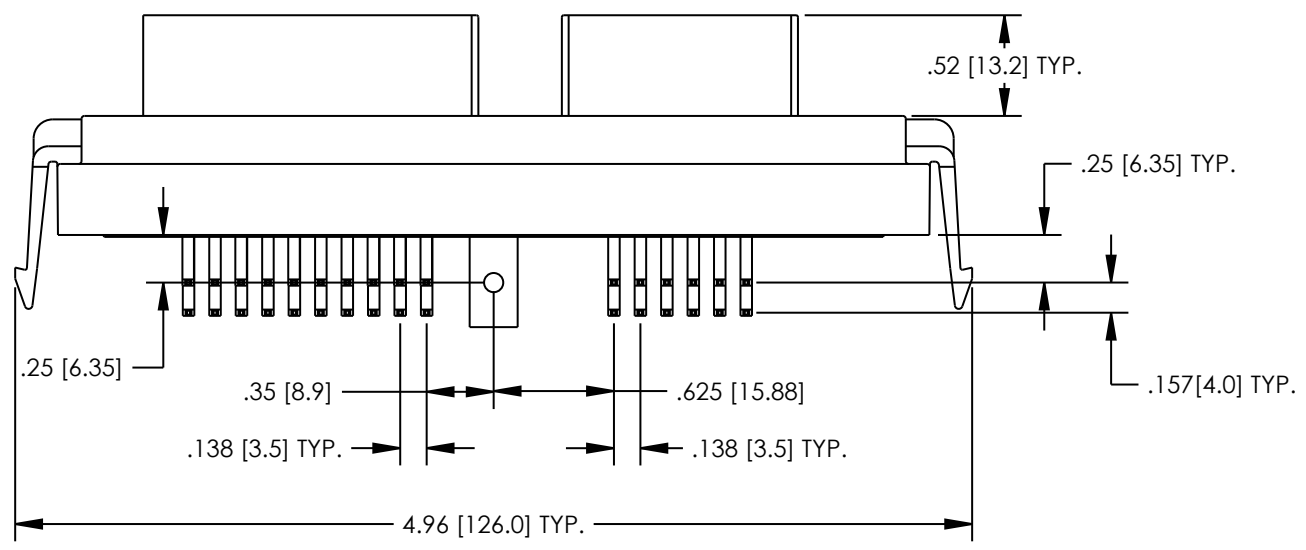


DRAWING REVISIONS (RELEASE DATE ON FILE)			
REV	DOCUMENT	APP	APPROVAL DATE
A	INITIAL RELEASE	KR	7/28/14



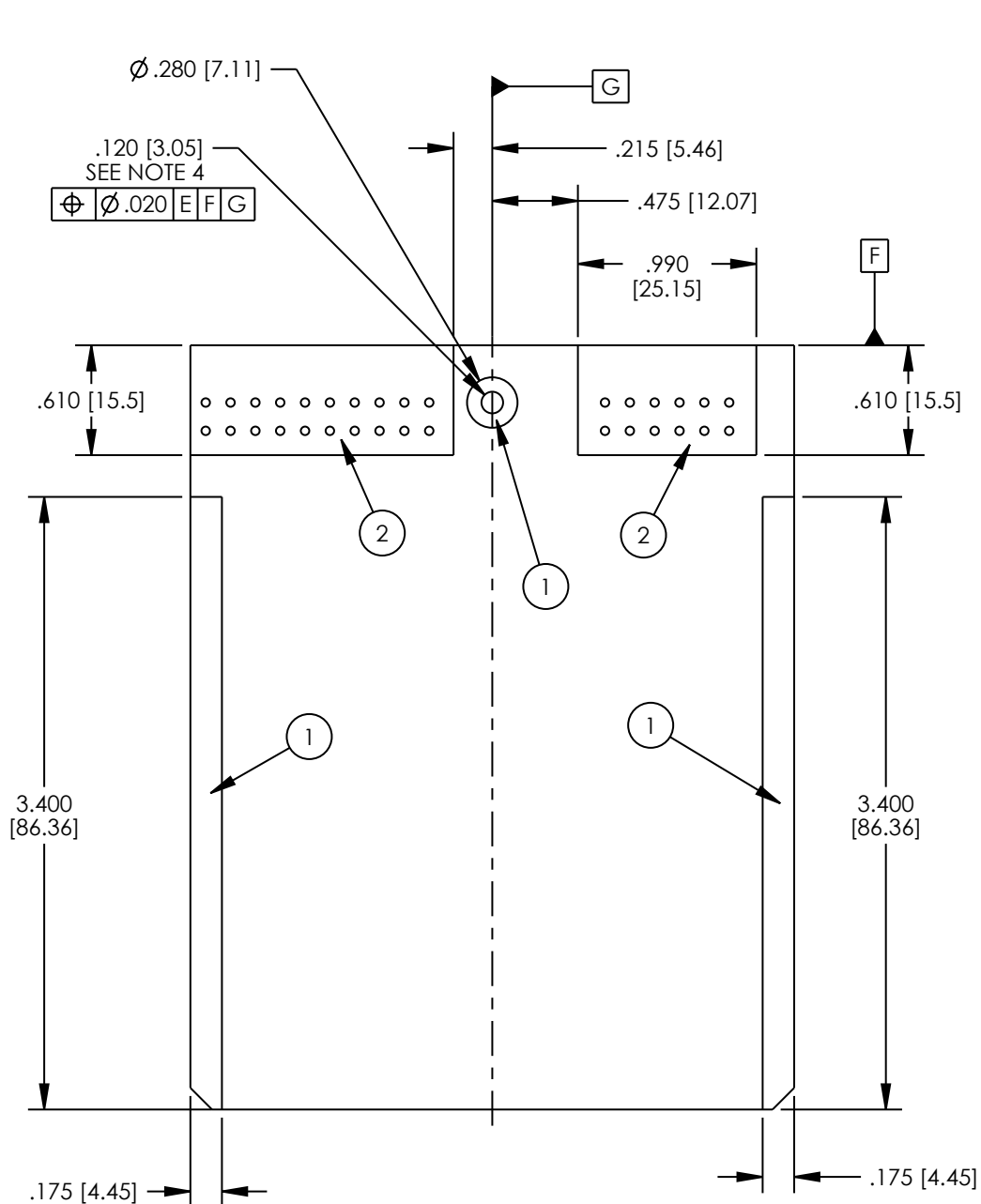
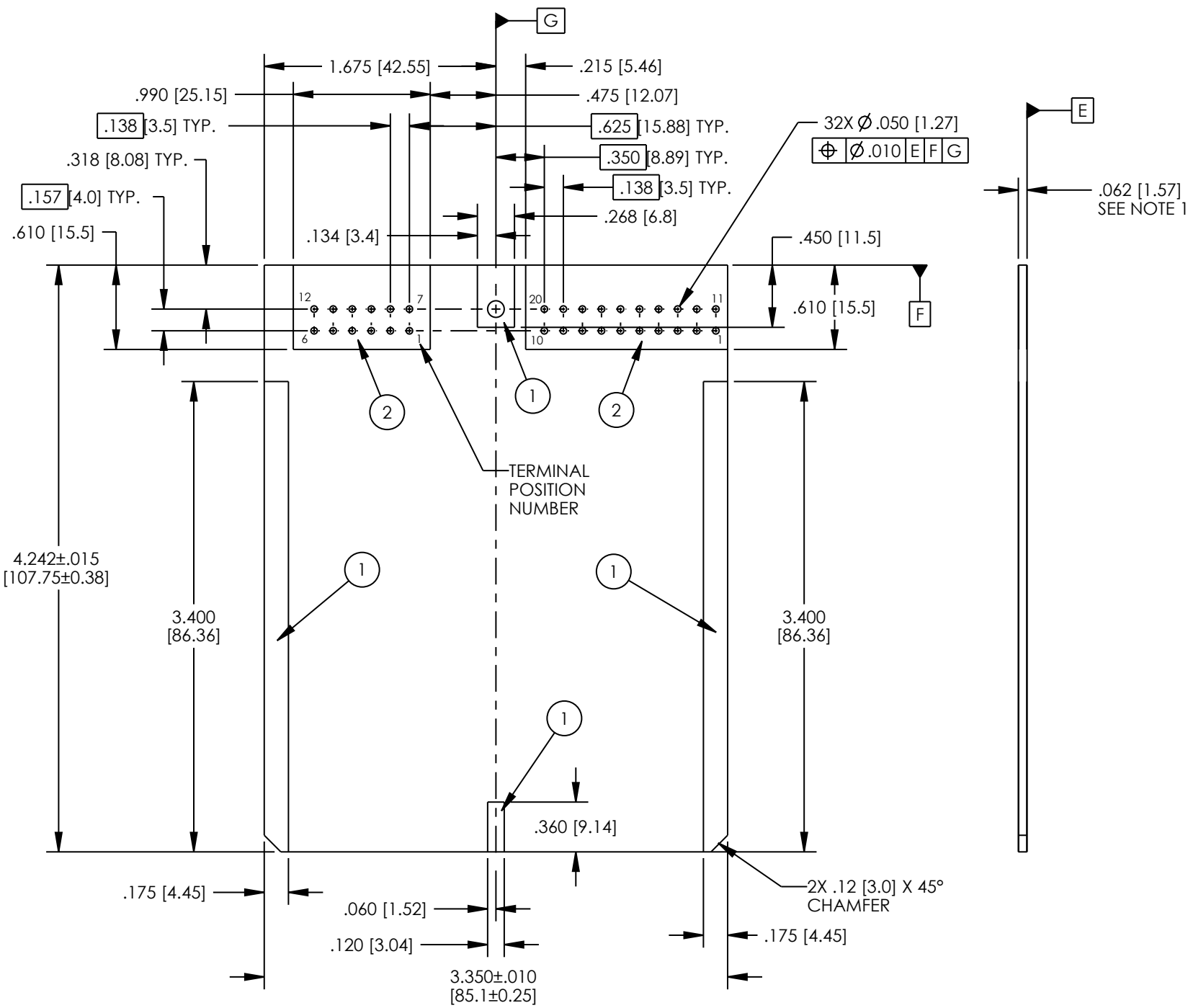
- NOTES:
- DIMENSIONS ARE IN INCHES EXCEPT DIMENSIONS INSIDE [XX] ARE IN mm. ALL DIMENSIONS ARE FOR REFERENCE ONLY.
 - MATERIALS:
HEADER INSULATOR: 30% GLASS FILLED POLYMER, COLOR BLACK.
TERMINALS BLADES: 1.5 mm BRASS WITH TIN OVER NICKEL PLATING.
 - HEADERS ARE REFLOW OR WAVE SOLDERING PROCESS ROHS COMPLIANT.
 - SEE SHEET 2 FOR PCB DETAILS.
 - RIGHT SIDE MATES WITH MOLEX FEMALE CONNECTOR PART NUMBER 33472-1201 (COLOR BLACK).
 - LEFT SIDE MATES WITH MOLEX FEMALE CONNECTOR PART NUMBER 33472-2002 (COLOR GRAY).



UNITS: ENGLISH INCHES		PRO/E	MODELED BY: K. ROSBOROUGH	
DO NOT SCALE DRAWING		DESIGN ENGINEER K. ROSBOROUGH	DATE 07/14/14	TITLE MODICE ME-MX 32 POSITION ASSEMBLY
UNLESS OTHERWISE SPECIFIED: ALL DIMENSIONS ARE IN INCHES		MATERIAL NOTED		CONTROL SPEC NUMBER
FILLET/RADII .02 MAX.	TOLERANCES .X ± .1 .XX ± .01 .XXX ± .005 ANGULAR ± .5°	MATERIAL SPEC NUMBER		FINISH
CONFIDENTIAL THIS DOCUMENT IS THE PROPERTY OF CINCH. NEITHER THIS DOCUMENT NOR ANY OF THE INFORMATION CONTAINED IN IT MAY BE DUPLICATED OR DISCLOSED WITHOUT PRIOR WRITTEN CONSENT OF CINCH. ©COPYRIGHT 2014 CINCH		APPROVALS ON FILE		PROJECT NUMBER A15123
CAD FILE NUMBER 5810132011S	DRAWING NUMBER 581 01 32 011S	CAGE IDENT NO. 71785	SIZE B	SCALE 1:1
		SHEET 1 OF 2		

PCB TOP SIDE

PCB BOTTOM SIDE



- PCB NOTES:
1. SUGGESTED PCB THICKNESS .062 [1.57].
 2. AREAS INDICATED BY (1) ARE COMPONENT AND TRACE KEEP OUT AREAS.
 3. AREAS INDICATED BY (2) ARE COMPONENT KEEP OUT AREAS.
 4. SUGGESTED SCREW TO SECURE PCB TO HEADER: #4 THREAD CUTTING SCREW (TYPE 23 OR SIMILAR) TORQUED TO 2-3 IN-LBS [0.23-0.34 N-m].

UNITS: ENGLISH INCHES		CINCH		1700 FINLEY RD LOMBARD, IL. 60148	
DO NOT SCALE DRAWING		TITLE: MODICE ME-MX 32 POSITION ASSEMBLY			
UNLESS OTHERWISE SPECIFIED: ALL DIMENSIONS ARE IN INCHES		PRO/E DRAWING			
FILLET/RADIUS .02 MAX.		TOLERANCES .X ± .1 .XX ± .01 .XXX ± .005 ANGULAR ± .5°		CAD FILE NUMBER 5810132011S	DRAWING NUMBER 581 01 32 011S
CONFIDENTIAL THIS DOCUMENT IS THE PROPERTY OF CINCH. NEITHER THIS DOCUMENT NOR ANY OF THE INFORMATION CONTAINED IN IT MAY BE DUPLICATED OR DISCLOSED WITHOUT PRIOR WRITTEN CONSENT OF CINCH. ©COPYRIGHT 2014 CINCH		CAGE IDENT NO. 71785	SIZE B	SCALE 1:1	REV A
		SHEET 2 OF 2			