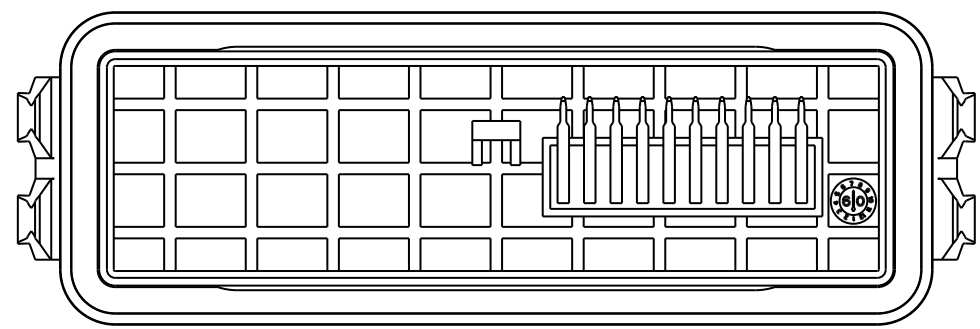
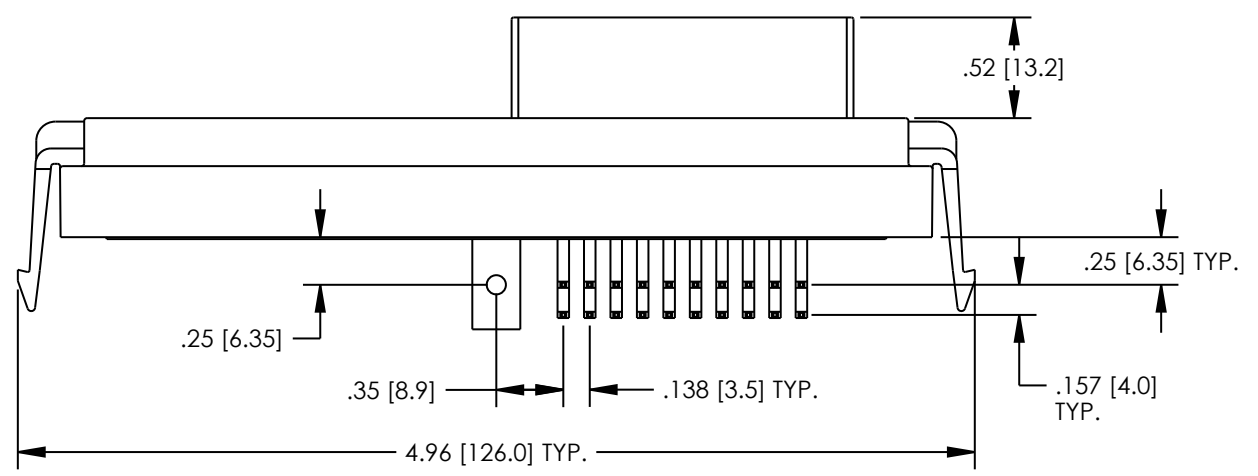
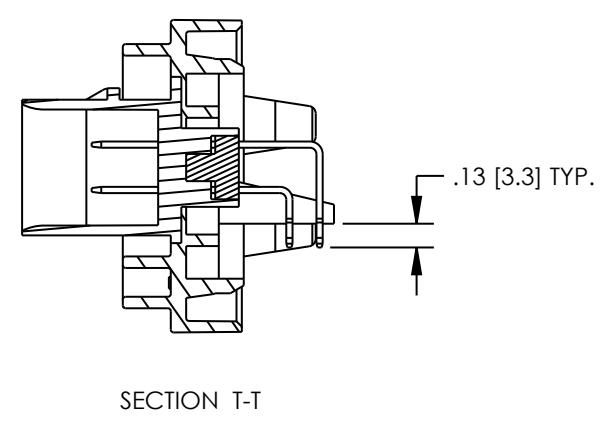
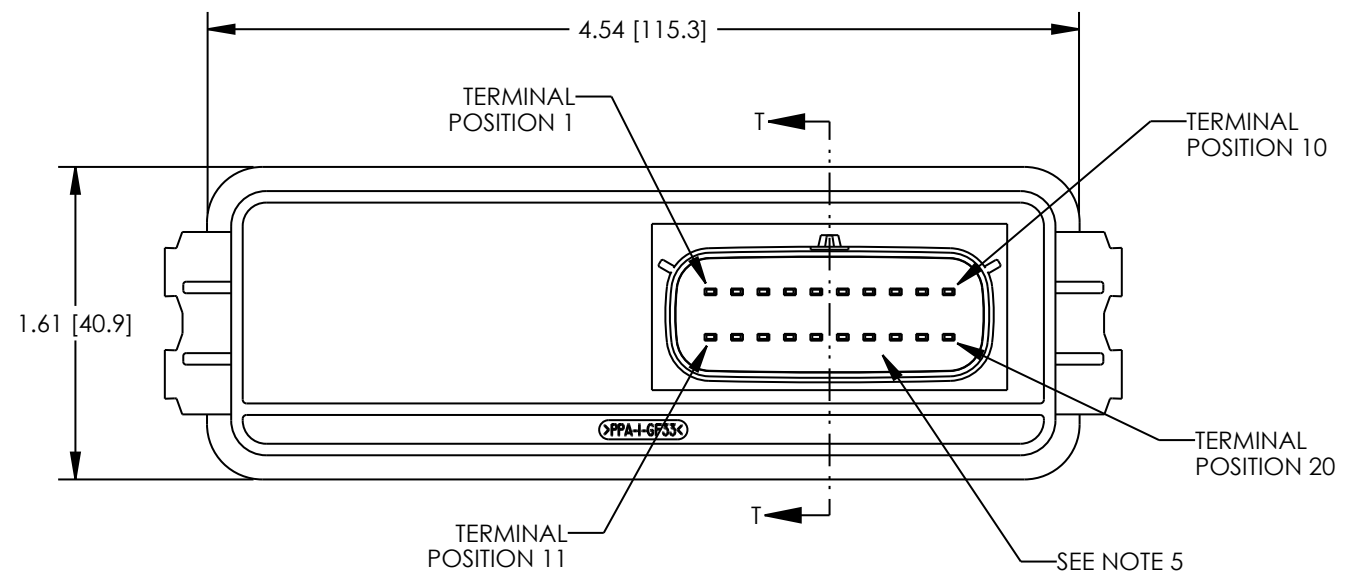


DRAWING REVISIONS (RELEASE DATE ON FILE)			
REV	DOCUMENT	APP	APPROVAL DATE
A	INITIAL RELEASE	KR	7/28/14



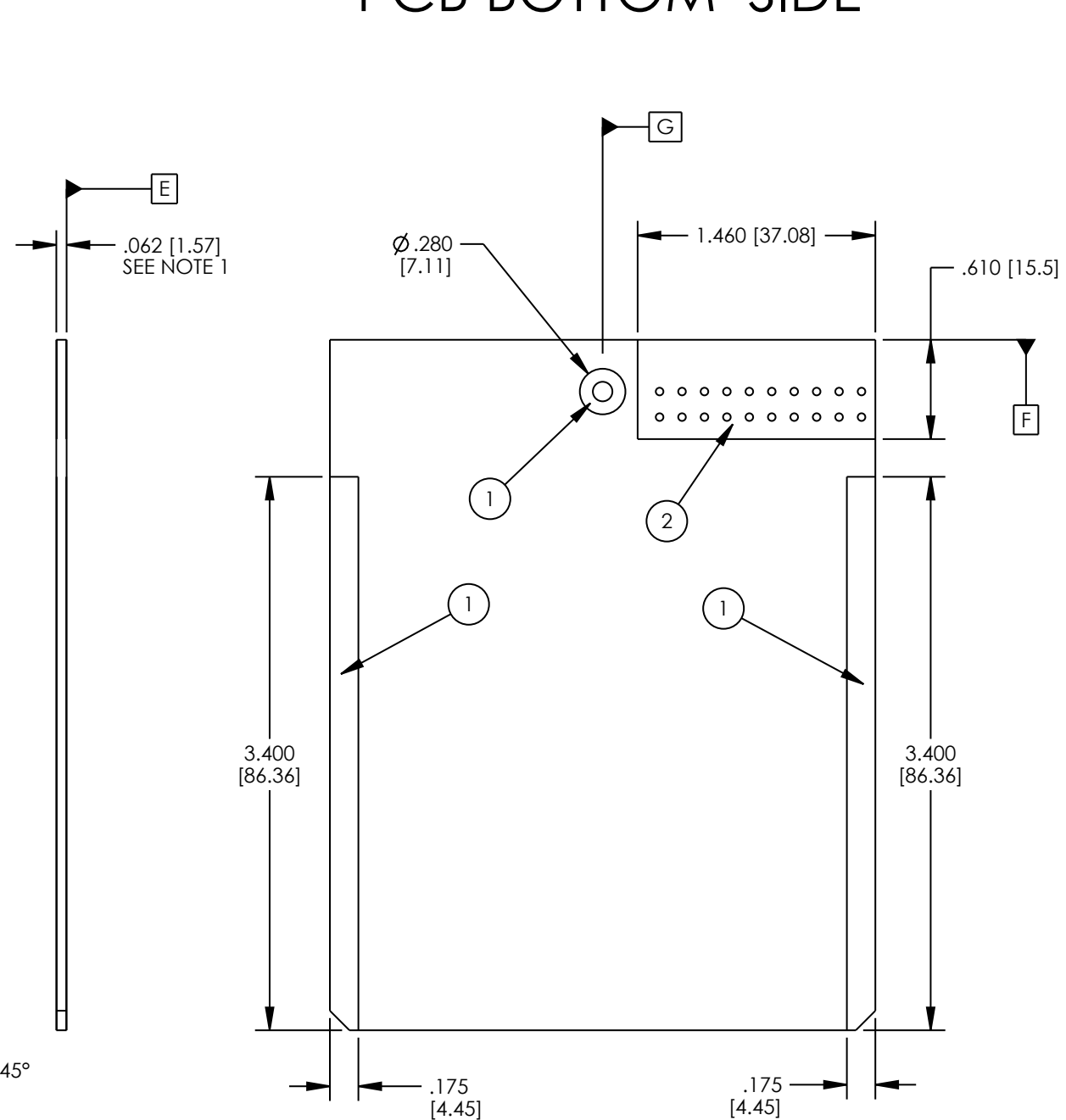
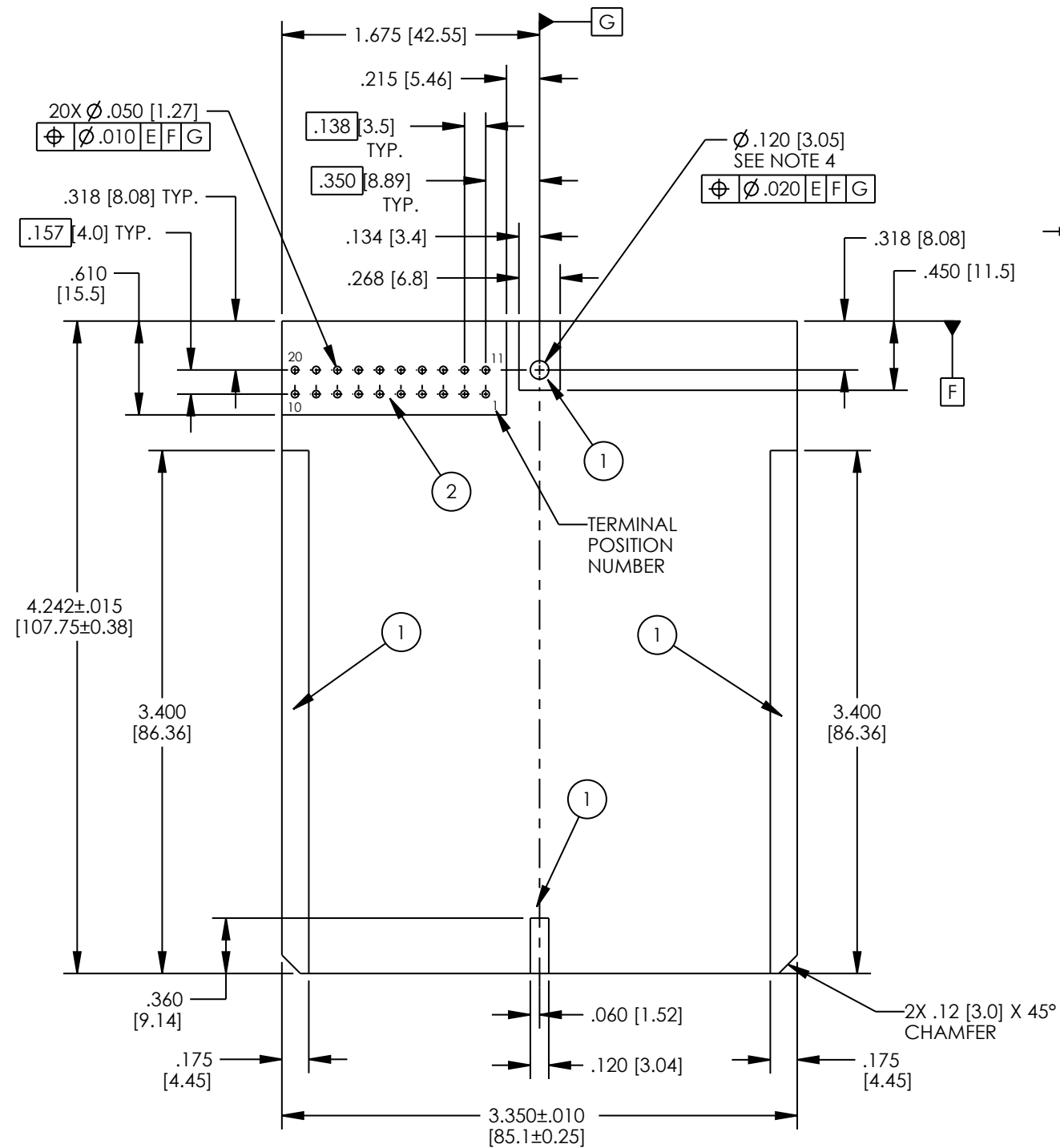
NOTES:

1. DIMENSIONS ARE IN INCHES EXCEPT DIMENSIONS INSIDE [XX] ARE IN mm. ALL DIMENSIONS ARE FOR REFERENCE ONLY.
2. MATERIALS:  
HEADER INSULATOR: 30% GLASS FILLED POLYMER, COLOR BLACK.  
TERMINAL BLADES: 1.5mm BRASS WITH TIN OVER NICKEL PLATING.
3. HEADERS ARE REFLOW OR WAVE SOLDERING PROCESS ROHS COMPLIANT.
4. SEE SHEET 2 FOR PCB DETAILS.
5. MATES WITH MOLEX FEMALE CONNECTOR PART NUMBER 33472-2001 (COLOR BLACK).

UNITS <b>ENGLISH INCHES</b>		DESIGN ENGINEER K. ROSBOROUGH	DATE 06/18/14			<small>MODELED BY: K. ROSBOROUGH</small> 1700 FINLEY RD LOMBARD, IL. 60148	
DO NOT SCALE DRAWING		UNLESS OTHERWISE SPECIFIED: ALL DIMENSIONS ARE IN INCHES		TITLE MODICE ME-MX 20 POSITION ASSEMBLY		CONTROL SPEC NUMBER	
FILLET/RADII .02 MAX.		TOLERANCES .X ± .1 .XX ± .01 .XXX ± .005 ANGULAR ± .5°		MATERIAL NOTED		PROJECT NUMBER A15123	
CONFIDENTIAL THIS DOCUMENT IS THE PROPERTY OF CINCH. NEITHER THIS DOCUMENT NOR ANY OF THE INFORMATION CONTAINED IN IT MAY BE DUPLICATED OR DISCLOSED WITHOUT PRIOR WRITTEN CONSENT OF CINCH. ©COPYRIGHT 2014 CINCH		APPROVALS ON FILE		CAD FILE NUMBER 5810120011S		DRAWING NUMBER <b>581 01 20 011 S</b>	
				CAGE IDENT NO. 71785		SCALE 1:1	

# PCB TOP SIDE

# PCB BOTTOM SIDE



**PCB NOTES:**

1. SUGGESTED PCB THICKNESS .062 [1.57].
2. AREAS INDICATED BY (1) ARE COMPONENT AND TRACE KEEP OUT AREAS.
3. AREAS INDICATED BY (2) ARE COMPONENT KEEP OUT AREAS.
4. SUGGESTED SCREW TO SECURE PCB TO HEADER # 4 THREAD CUTTING SCREW (TYPE 23 OR SIMILAR) TORQUED TO 2-3 IN-LBS [0.23-0.34 N-m].

UNITS: ENGLISH INCHES		<b>CINCH</b>		1700 FINLEY RD LOMBARD, IL. 60148	
DO NOT SCALE DRAWING		TITLE: MODICE ME-MX 20 POSITION ASSEMBLY			
UNLESS OTHERWISE SPECIFIED: ALL DIMENSIONS ARE IN INCHES		PRO/E DRAWING			
FILLET/RADIUS .02 MAX.	TOLERANCES .X ± .1 .XX ± .01 .XXX ± .005 ANGULAR ± .5°	CAD FILE NUMBER 5810120011S	DRAWING NUMBER 5810120011S	REV A	
CONFIDENTIAL THIS DOCUMENT IS THE PROPERTY OF CINCH. NEITHER THIS DOCUMENT NOR ANY OF THE INFORMATION CONTAINED IN IT MAY BE DUPLICATED OR DISCLOSED WITHOUT PRIOR WRITTEN CONSENT OF CINCH. ©COPYRIGHT 2 CINCH		CAGE IDENT NO. 71785	SCALE 1:1	SHEET 2 OF 2	