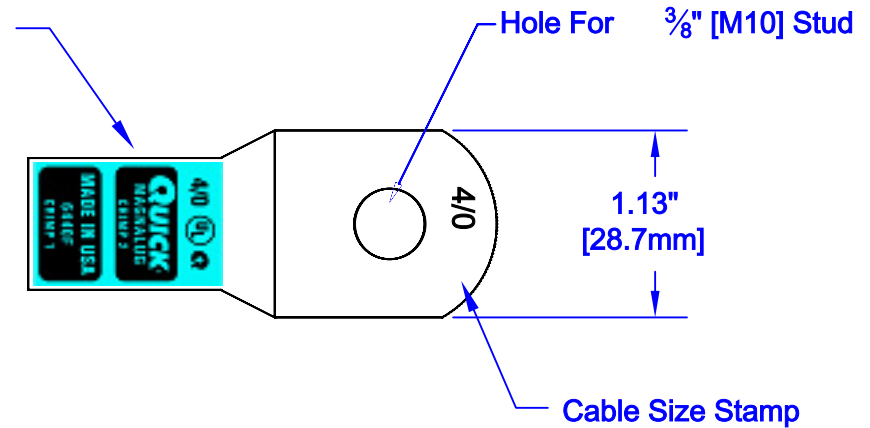
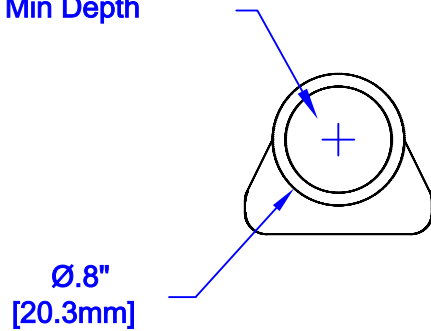


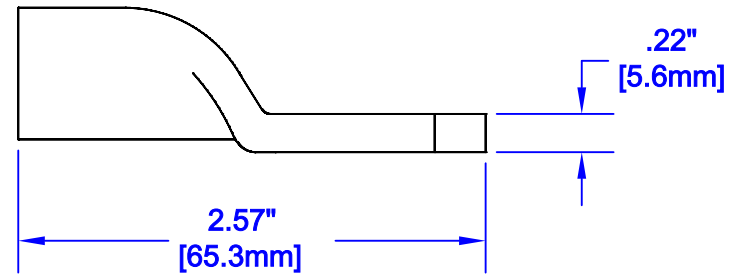
Crimp Information



ID Sized For 4/0
[103mm²] Stranded Cable
3/4" [19.1mm] Min Depth



Dia May Vary Due to Manufacturing Process



Property of QUICKCABLE 3700 Quick Drive Franksville, WI 53126 U.S.A. www.quickcable.com		TITLE 4/0 [103mm ²] Magna Lug
		PART # 6440F
Confidential and Proprietary Information		
Material & Treatment Copper Tube Tin Plated	Drawing # 6440F-INFO	REV B
Sheet 1 Of		1

Rev	Date	ECN#	By	Description	Drawn By Paul	Date 03-12-03	Checked By Mike E	Scale None
B	01-30-12	2459	JMH	Redrawn; printing info updated	Tolerances, unless otherwise noted Dimensions are reference only			

