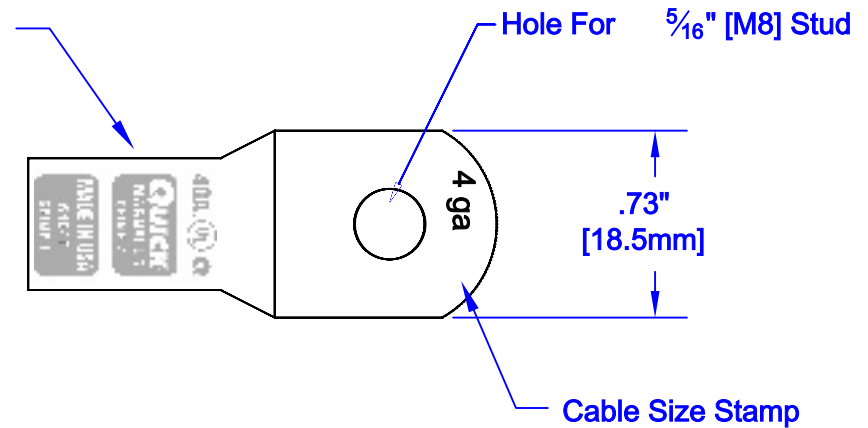
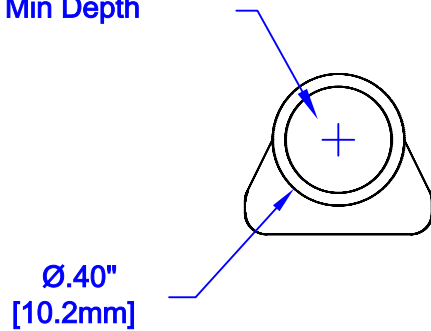


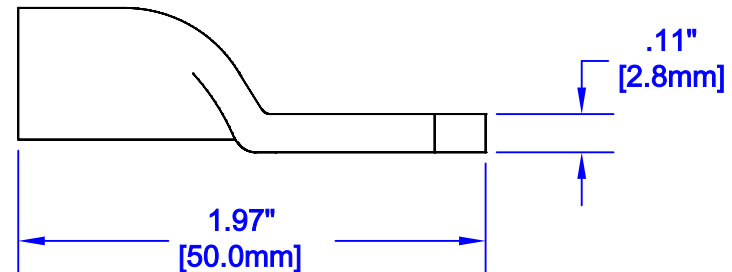
Crimp Information



ID Sized For 4 Ga [19mm²] Stranded Cable
3/4" [19.1mm] Min Depth



Dia May Vary Due to Manufacturing Process



Property of QUICKCABLE 3700 Quick Drive Franksville, WI 53126 U.S.A. www.quickcable.com	TITLE
	4 Ga [19mm ²] Magna Lug
	PART #
	6404E

Confidential and Proprietary Information

Rev	Date	ECN#	By	Description	Drawn By	Date	Checked By	Scale
B	01-30-12	2459	JMH	Redrawn; printing info updated	Paul	03-12-03	Mike E	None
					Tolerances, unless otherwise noted			
					Dimensions are reference only			

Material & Treatment Copper Tube Tin Plated	Drawing #	REV
	6404E-INFO	B
	Sheet 1 Of 1	1

