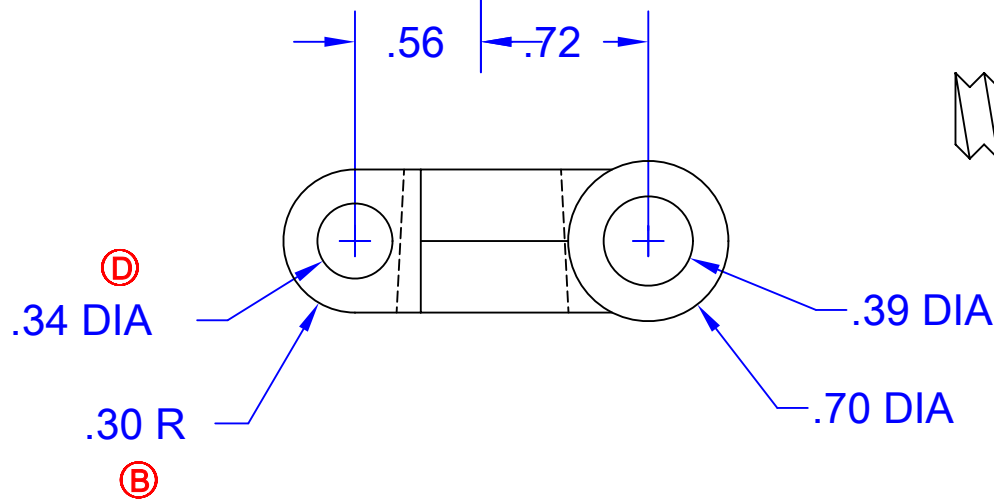
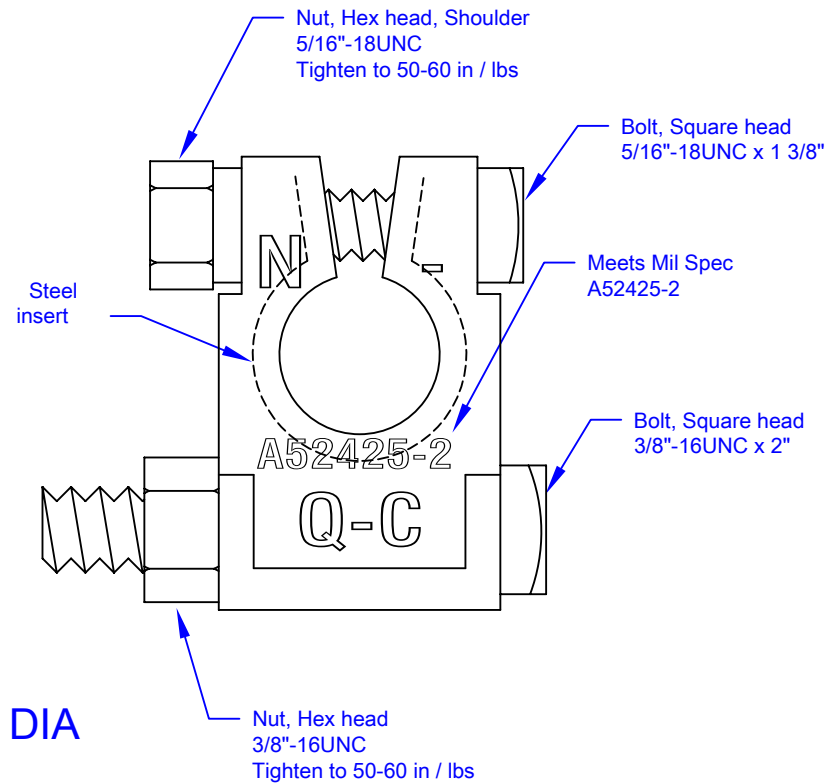
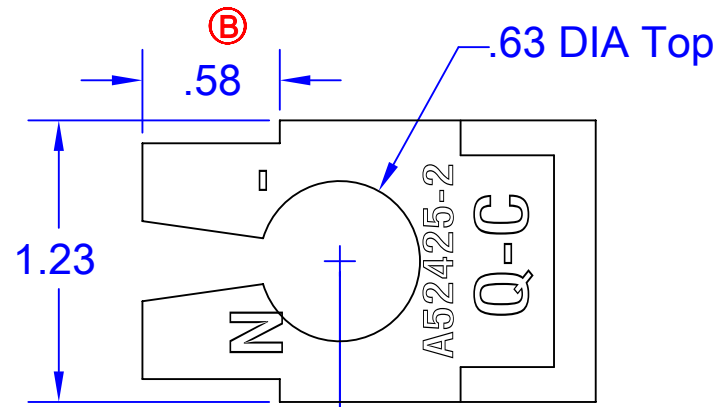


Quick Cable Reserves The Right to Alter Product Types, Their Technical Data, Dimensions, Style And Accessories without Prior Notification.



Property of QUICKCABLE 3700 Quick Drive Franksville, WI 53126 U.S.A. www.quickcable.com	TITLE Lead Add-on Connector Negative
	PART # 5349N

Confidential and Proprietary Information

Rev	Date	ECN#	By	Description
D	03-25-11	2272	JMH	Dia. was .33
C	10-18-10	2190	JMH	Title was "Military Terminal"
B	06-21-10	2142	JMH	Dim. was .56; Radius was .59
A	11-29-04	862	JMH	Change material spec.

Drawn By Paul P.	Date 6-25-02	Checked By R. H.	Scale None
Tolerances, unless otherwise noted 2 place dec. = .015			

Material & Treatment Antimonial Lead 4 - 7.5%	Drawing # 5349N-Info Sheet 1 Of 1	REV D
---	---	-----------------

