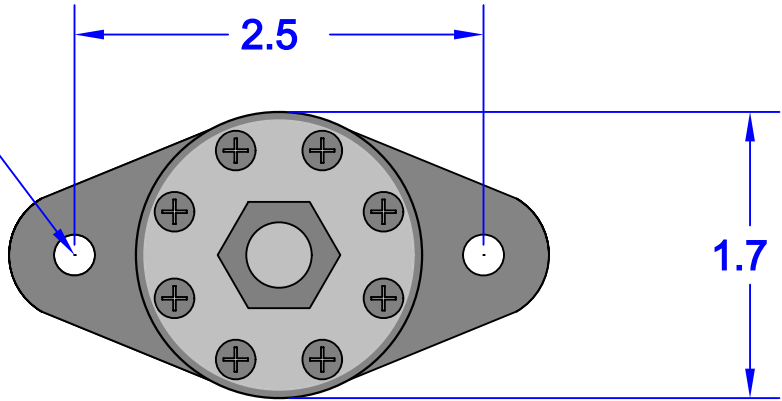
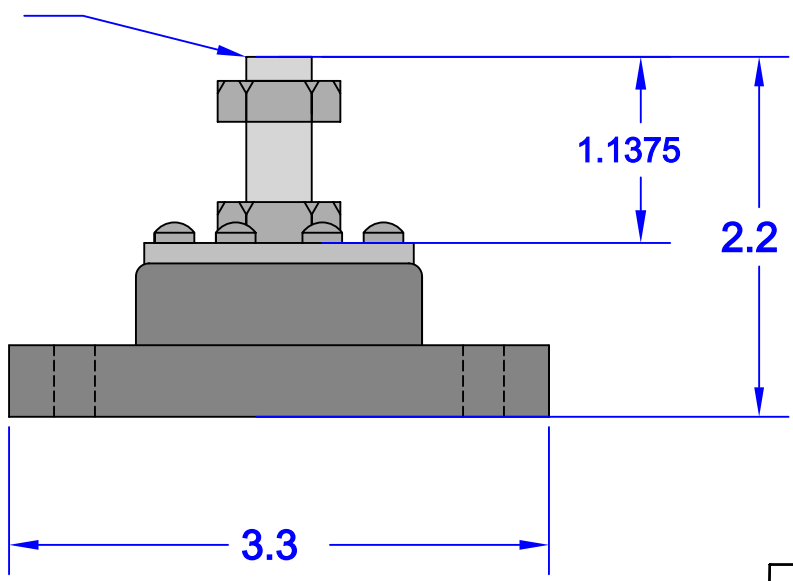


Sized for 1/4" Screw



5/16"-18 Stainless Post With Nuts And Lockwashers



Property of QUICK CABLE 3700 Quick Drive Franksville, WI 53126 U.S.A. www.quickcable.com	TITLE 8 Point 5/16" Post	
	PART # 509681	
Confidential and Proprietary Information		
Material & Treatment	Drawing # 509681-Info	REV
	Sheet 1 Of 1	1

Rev	Date	ECN#	By	Description

Drawn By Bill S	Date 7-02-07	Checked By Mike E	Scale None
Tolerances, unless otherwise noted Dimensions are reference only			

Property of QUICK CABLE 3700 Quick Drive Franksville, WI 53126 U.S.A. www.quickcable.com				TITLE Cable Assembly 2/0 Neg.	
				PART # 2006&N	
Confidential and Proprietary Information					
Material & Treatment				Drawing # 2006N-921	
Tolerances, unless otherwise noted				REV	
Length to be +/-1"				Sheet 1 Of 1	

Rev	Date	ECN#	By	Description