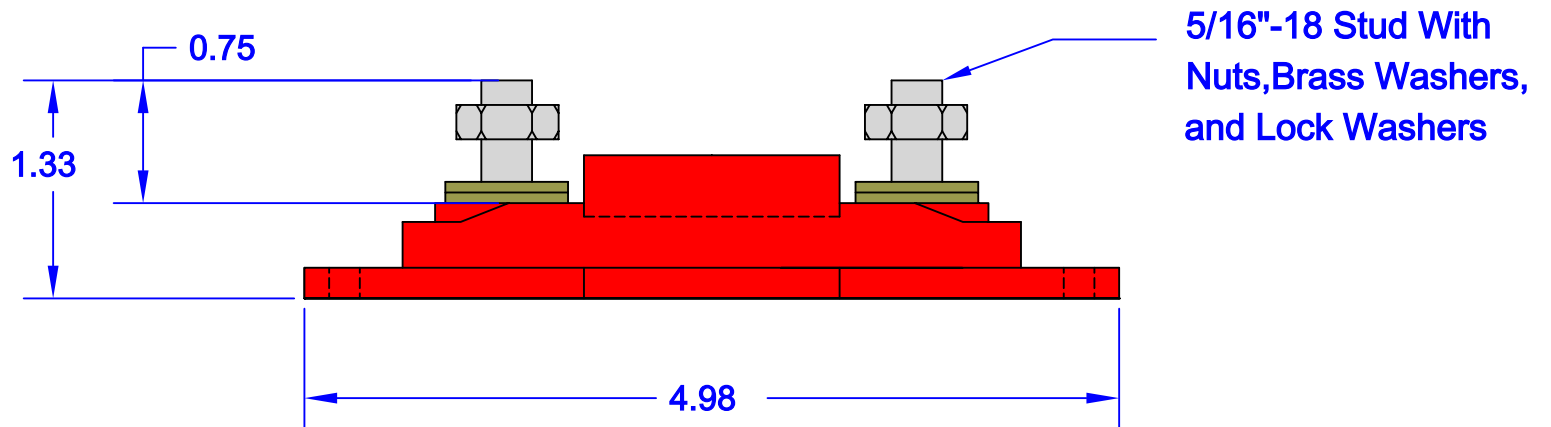
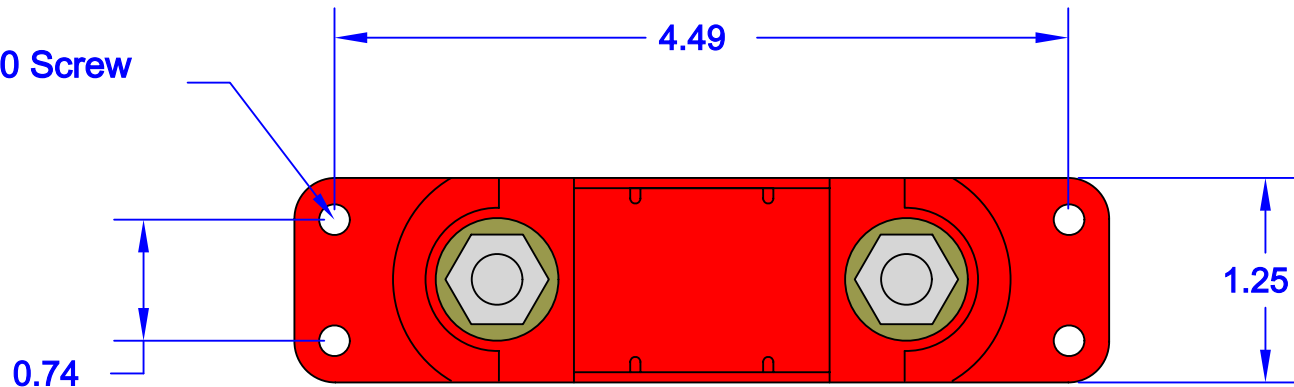


Sized For #10 Screw



Ships With Clear Protective Cover and
2 Terminal Protectors

Property of QUICK CABLE 3700 Quick Drive Franksville, WI 53126 U.S.A. www.quickcable.com	TITLE ANL Fuse Holder	
	PART # 509665	
Confidential and Proprietary Information		
Material & Treatment	Drawing # 509665-Info	REV
	Sheet 1 Of 1	

Rev	Date	ECN#	By	Description

Drawn By Bill S	Date 7-09-07	Checked By Mike E	Scale None
Tolerances, unless otherwise noted Dimensions are reference only			

Property of QUICK CABLE 3700 Quick Drive Franksville, WI 53126 U.S.A. www.quickcable.com				TITLE Cable Assembly 2/0 Neg.	
				PART # 2006&N	
Confidential and Proprietary Information					
Material & Treatment				Drawing # 2006N-921	
Tolerances, unless otherwise noted				REV	
Length to be +/-1"				Sheet 1 Of 1	

Rev	Date	ECN#	By	Description