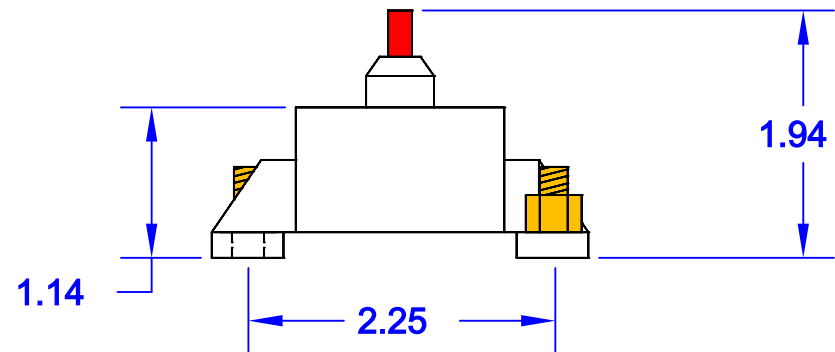
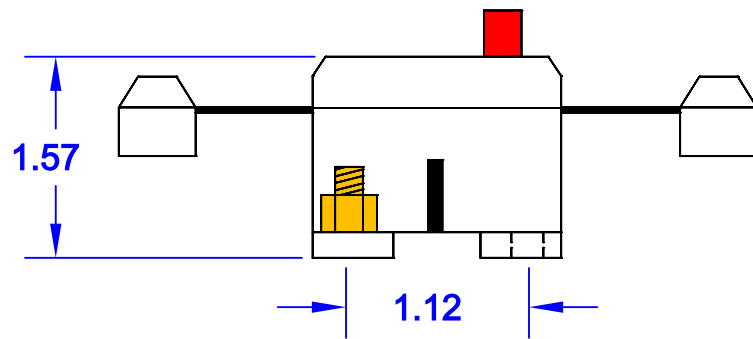


**Applications:**  
Typically used in auxilliary and accessory circuits - trucks, busses, RV's, and marine applications. Others might include battery chargers and DC audio systems.



**NOTE:** UL approved for 150A, 32VDC  
Interrupt rating of 3000A @ 30VDC  
Tested to SAE J1625, SAE J1171  
Waterproof, manual reset design  
Operating Temperature is -32°C to 92°C  
Housing is thermoset plastic, UL rated 94VO  
RoHS compliant

Property of <b>QUICK CABLE</b> 3700 Quick Drive Franksville, WI 53126 U.S.A. www.quickcable.com	TITLE Circuit Breaker, 150 Amp
	PART # 509418

Confidential and Proprietary Information

Rev	Date	ECN#	By	Description	Drawn By Jim H	Date 09-08-11	Checked By Mike E	Scale None
					Tolerances, unless otherwise noted			
					Dimensions are reference only			

Material & Treatment	Drawing # 509418-Info	REV
	Sheet 1 Of 1	1

