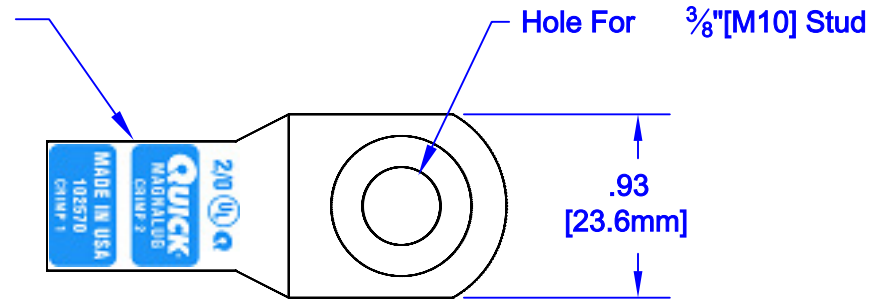
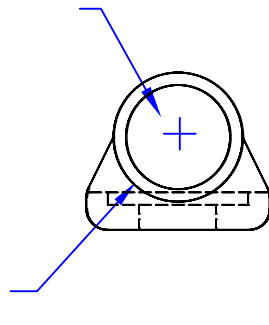


Quick Cable Reserves The Right to Alter Product Types, Their Technical Data, Dimensions, Style And Accessories Without Prior Notification.

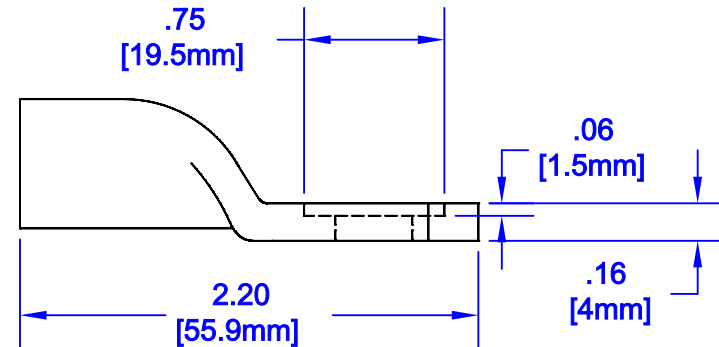
Crimp Information



ID Sized For 2/0 [62mm²] Stranded Cable
3/4" [19.1mm] Min Depth



Dia May Vary Due to Manufacturing Process



Property of QUICKCABLE 3700 Quick Drive Franksville, WI 53126 U.S.A. www.quickcable.com	TITLE	2/0 [62mm ²] Magna Lug, Retro Fit
	PART #	102570

Confidential and Proprietary Information

Rev	Date	ECN#	By	Description
C	01-26-15	3161	GCV	Update Printing
B	01-30-12	2459	JMH	Redrawn; printing info updated

Drawn By	Date	Checked By	Scale
MEF	01-09-03	RAH	None
Tolerances, unless otherwise noted			
Dimensions are reference only			

Material & Treatment Copper Tube Tin Plated	Drawing #	REV
	102570-Info	C
Sheet 1 Of		1

