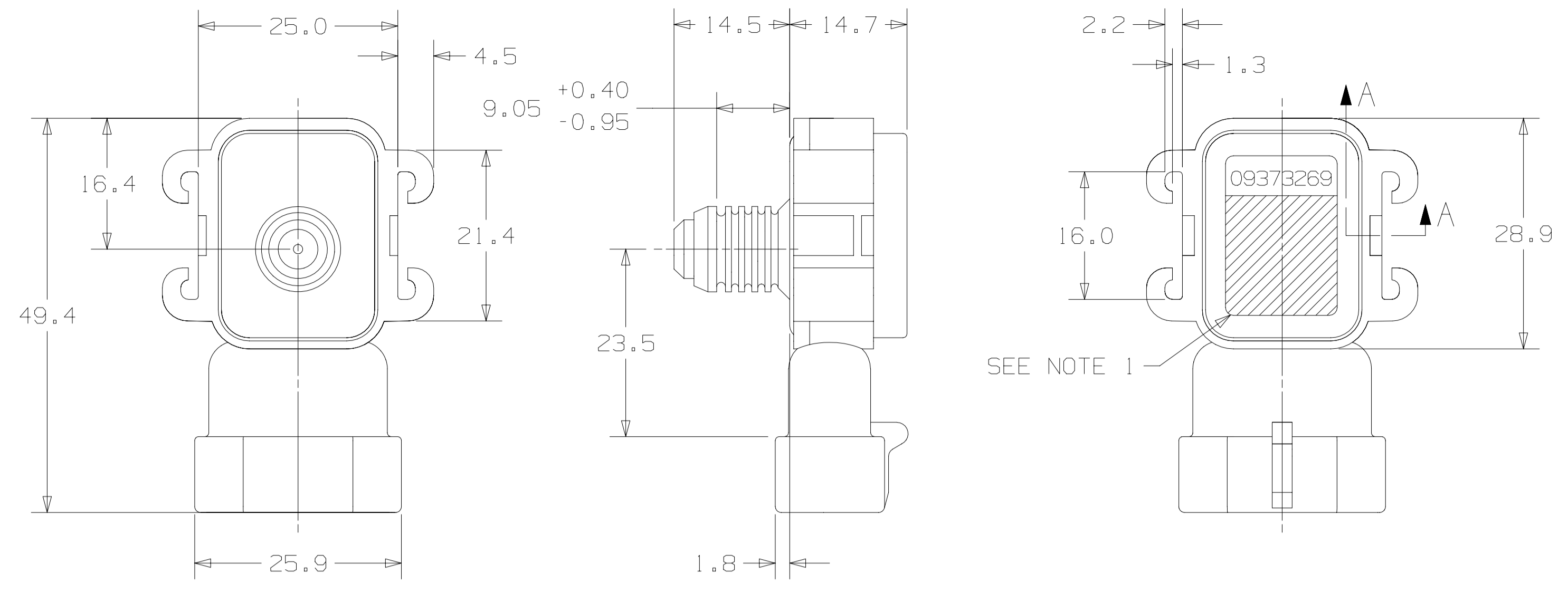
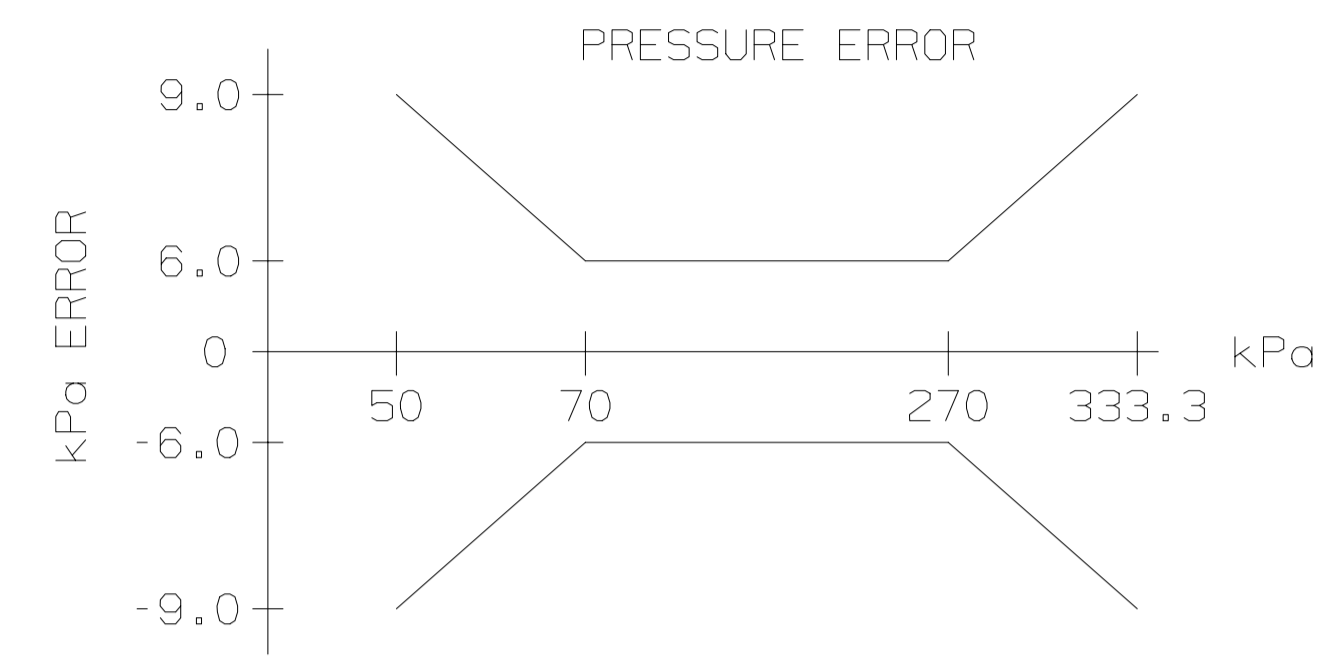


DATE	SYM	REVISION RECORD	AUTHORITY	DR.	CK.	APVD
30AU99	A	RELEASED-PRODUCTION		137710		
26FE02	B	EMI CAP CHANGE 0.022µF TO 0.1µF &				
		NOTE 1 PER CN89	155089	JEM	FF	GS

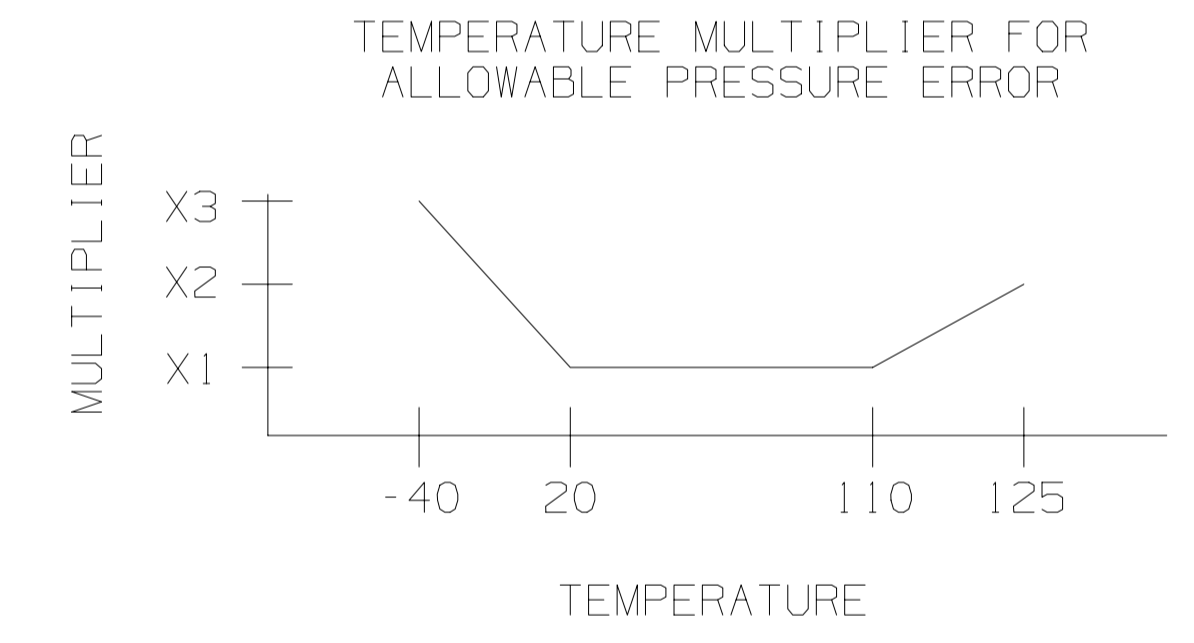


⊕ 1  
 ELECTRICAL OUTPUT  
 $V_{out} = V_{ref} [0.003 * P - 0.1]$   
 $V_{ref} = 5.0 \pm 0.1$  VOLTS  
 P = PRESSURE IN kPa



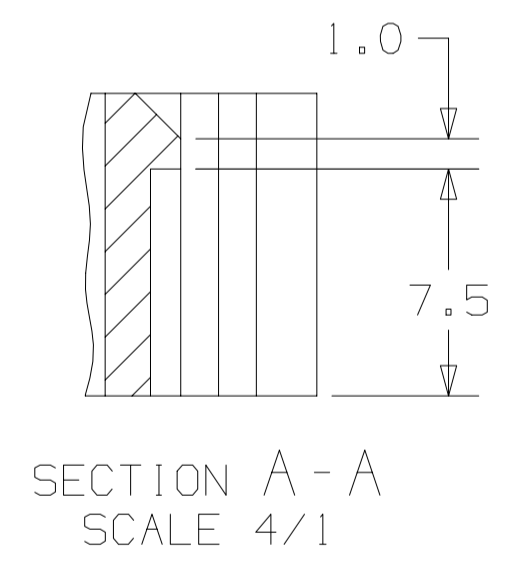
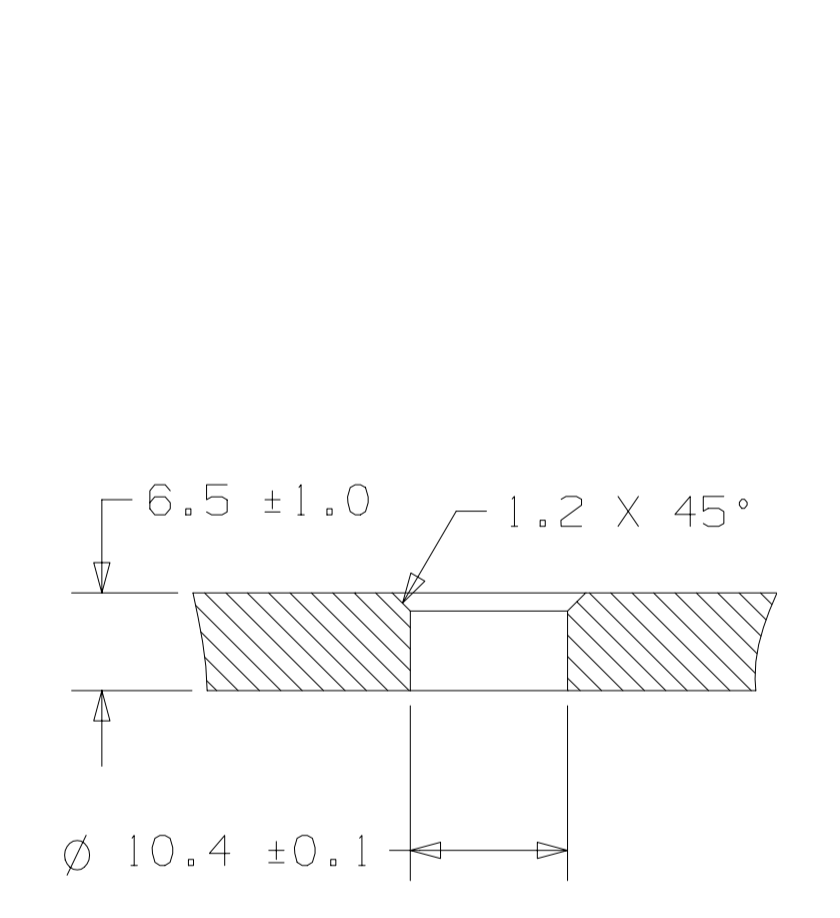
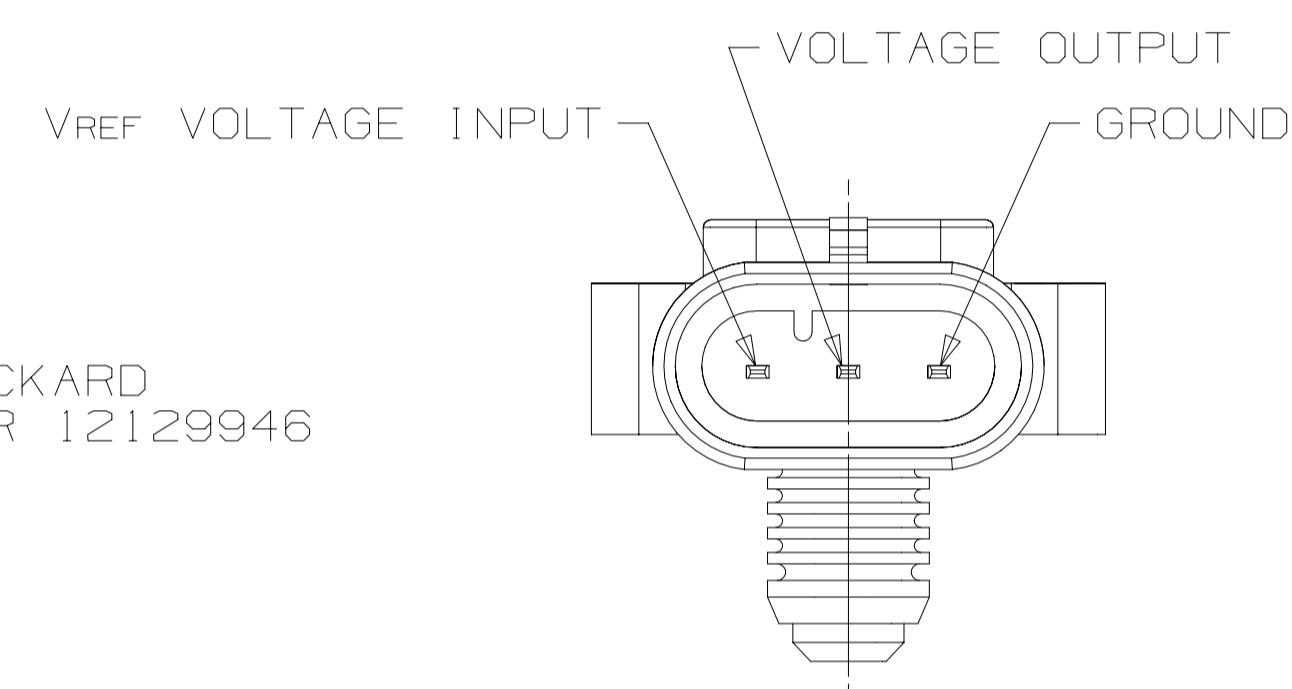
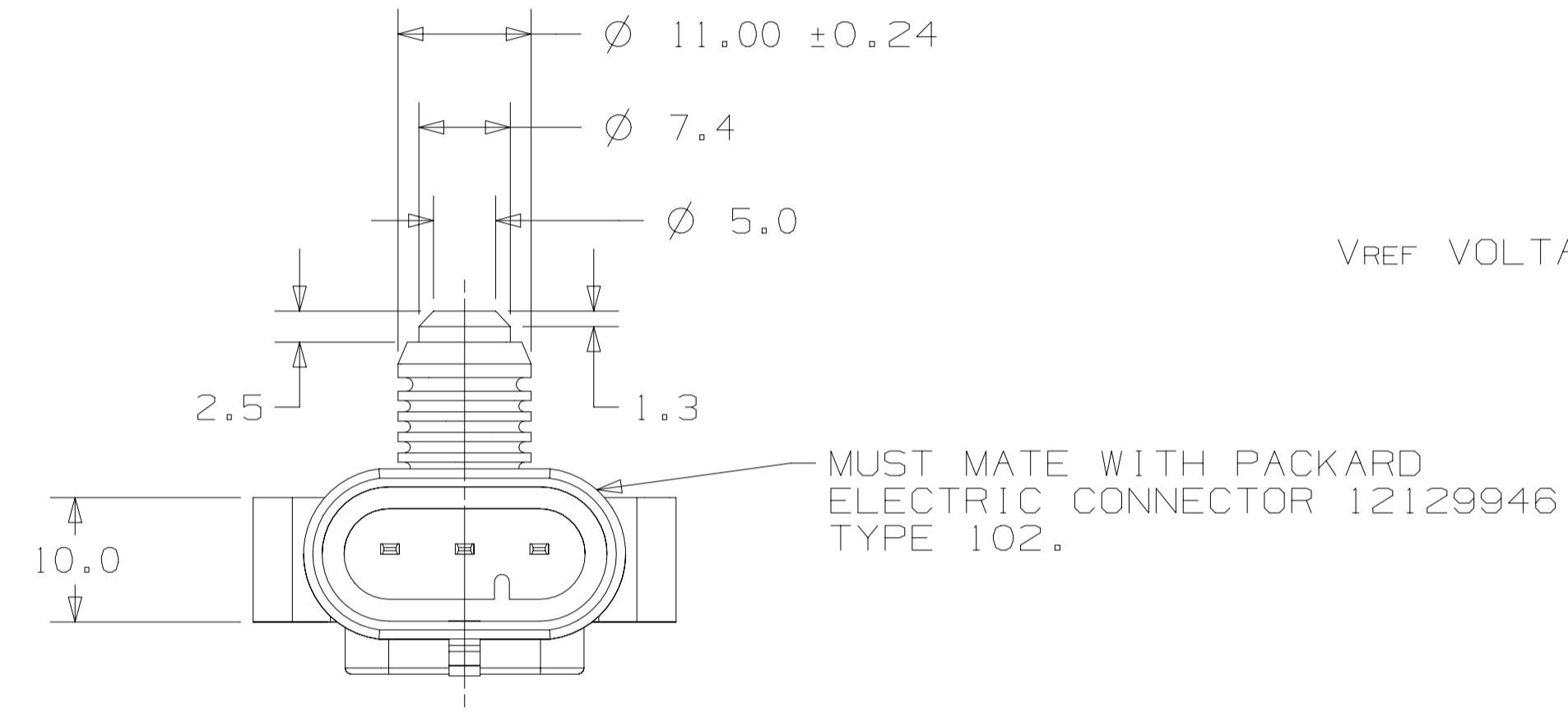
PRESSURE ERROR IN kPa

INPUT PRESSURE	ALLOWABLE ERROR
50	±9.0
70	±6.0
270	±6.0
333.3	±9.0



TEMPERATURE MULTIPLIER FOR ALLOWABLE PRESSURE ERROR

TEMPERATURE	MULTIPLIER
-40	3
20	1
110	1
125	2



- LABEL: LABEL MAY CONTAIN BUT NOT LIMITED TO INFORMATION SUCH AS PIN OUT, COUNTRY OF ORIGIN, DATE CODE, TRACEABILITY INFORMATION.
  - DATE CODE: FIRST DIGIT REPRESENTS THE YEAR AND LAST THREE DIGITS REPRESENT THE DAY OF THE YEAR.
- MOUNTING: THIS PART IS FOR DIRECT MOUNTING INTO A PORT HOLE AND IT IS RECOMMENDED THAT IT BE MOUNTED UPSTREAM OF THE EXHAUST GAS RECIRCULATION VALVE. THE SENSOR PORT IS TO BE ORIENTED DOWN WITHIN 30° OF VERTICAL. AN ADDITIONAL RETAINER IS REQUIRED.

SCALE 2/1 DIST

**DELPHI** Automotive Systems  
 THIS DRAWING IS THE PROPERTY OF A DELPHI AUTOMOTIVE SYSTEMS COMPANY. NO RIGHTS ARE GRANTED TO USE THIS DRAWING FOR ANY PURPOSE OTHER THAN THE FURNISHING OF SERVICES AND SUPPLIES TO DELPHI AUTOMOTIVE SYSTEMS.

**METRIC**  $\leftarrow$  mm  $\rightarrow$   
 UNLESS OTHERWISE SPECIFIED; ALL DIMENSIONS ARE IN MILLIMETERS, AND THE TOLERANCES ARE:  
 ONE PLACE DECIMALS ± 0.5  
 TWO PLACE DECIMALS ± 0.20  
 ANGLES ± 2°  
 DRAFT ANGLES -  
 SHARP CORNERS -

**GD&T** SEE ANSI Y14.5M-82 FOR GD&T INTERPRETATION CHANGES ALLOWED ONLY BY PDM DOCUMENT PROCEDURES  
**PDM** DO NOT SCALE  
**UG** THIRD ANGLE PROJECTION

FIRST USED 09373269	DES D.E. WHITSON	11AU98
REFERENCE ISUZU 3.3 BAR	APR R.LONGSTREET	30AU99
EXP MODEL	APR N/A	
EXP NUM	APR N/A	

SUBSTANCES OF CONCERN AND RECYCLED CONTENT PER DELPHI - A 10949001

KEY PRODUCT CHARACTERISTICS

SAFETY/COMPLIANCE	FIT/FUNCTION
TOTAL ON DRAWING	1
LAST NUMBER USED	1

MATERIAL SPEC

DRAWING NAME	OUTLINE-P/SNSR
PART NUMBER	09373269
SHT	1
OF	1

DELPHI DELCO ELECTRONICS SYSTEMS  
 Division of DELPHI AUTOMOTIVE