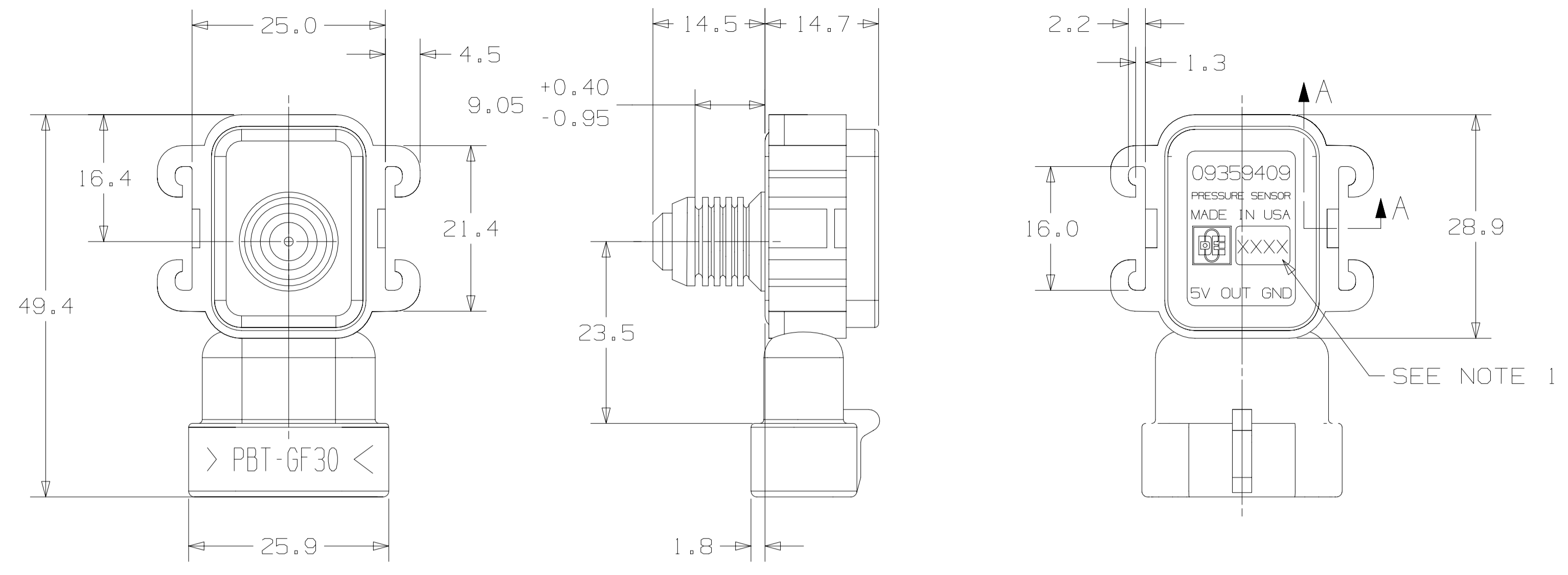
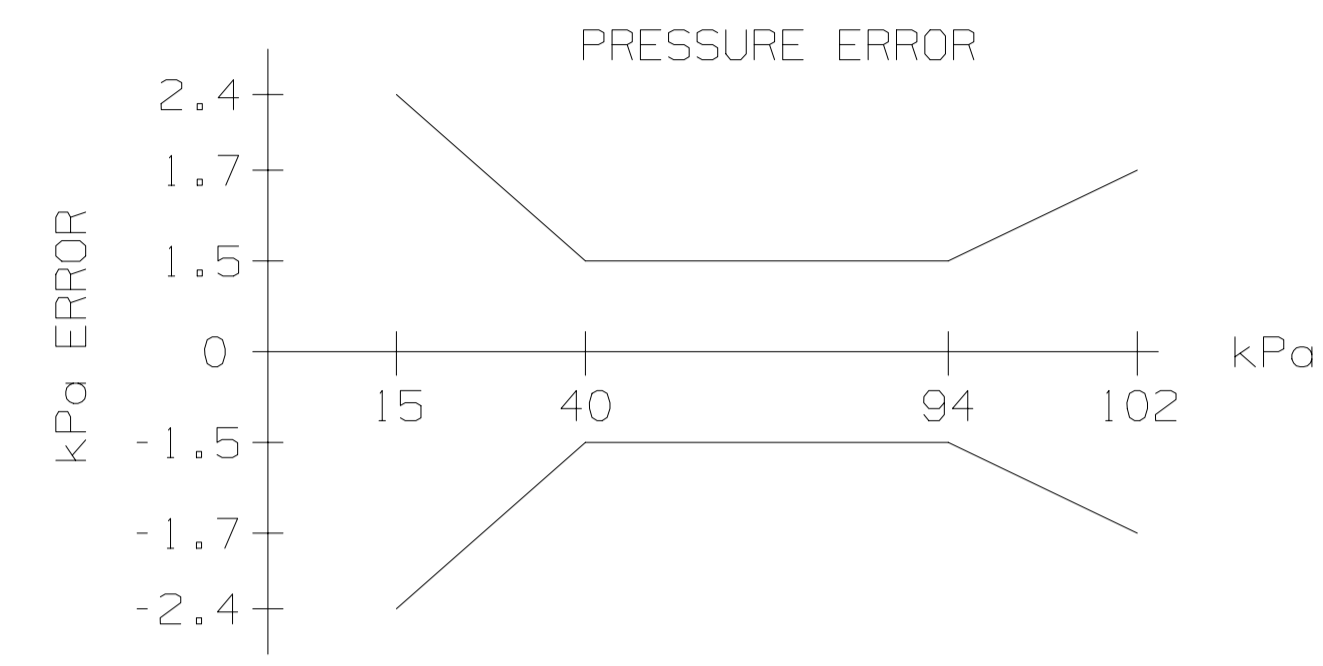


DATE	SYM	REVISION RECORD	AUTHORITY	DR.	CK.	APVD
04DE98	A	RELEASE PER CN #3				
		RELEASE PER PRODUCTION	133193			
15JUL99	B	ADDED NOTE 3 PER CN 37	137612	JEM		RL

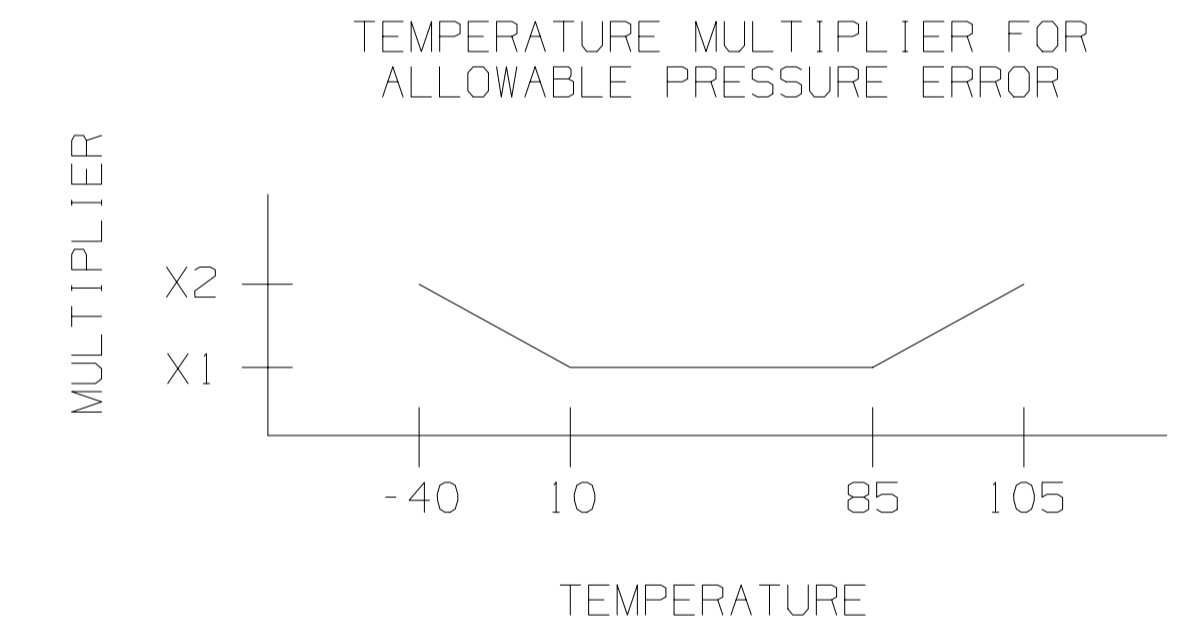
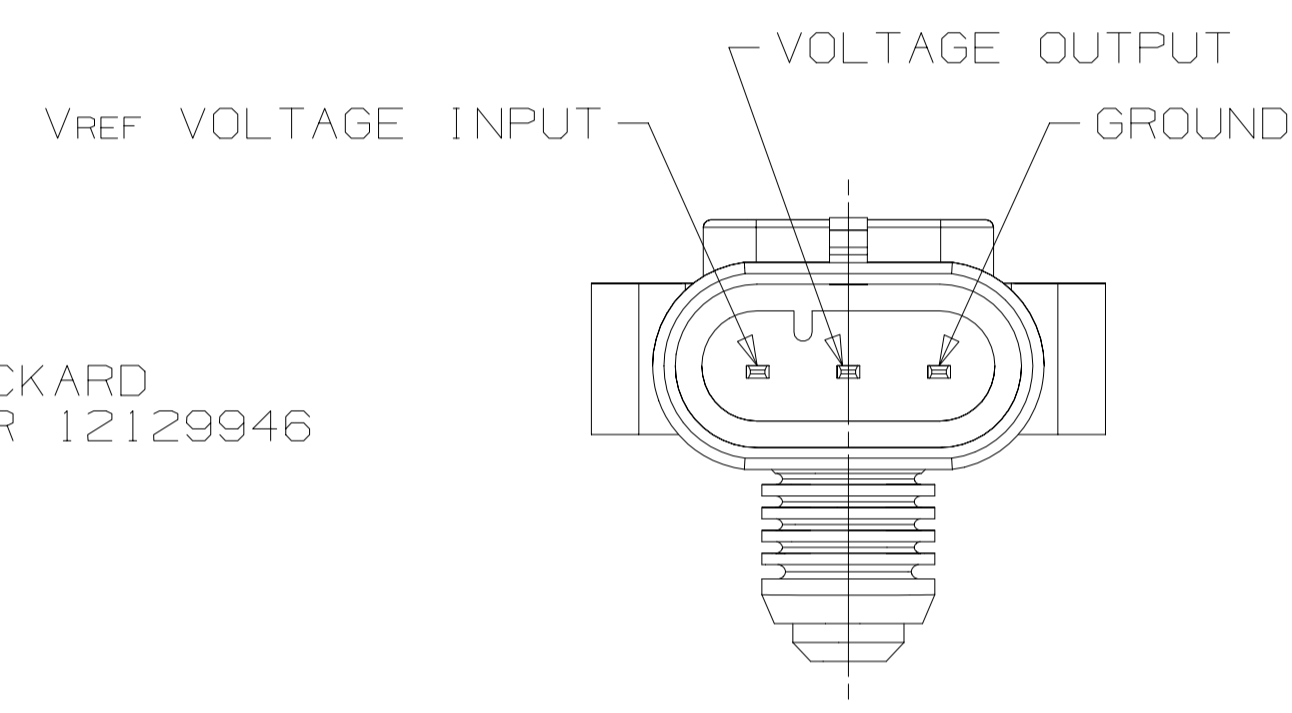
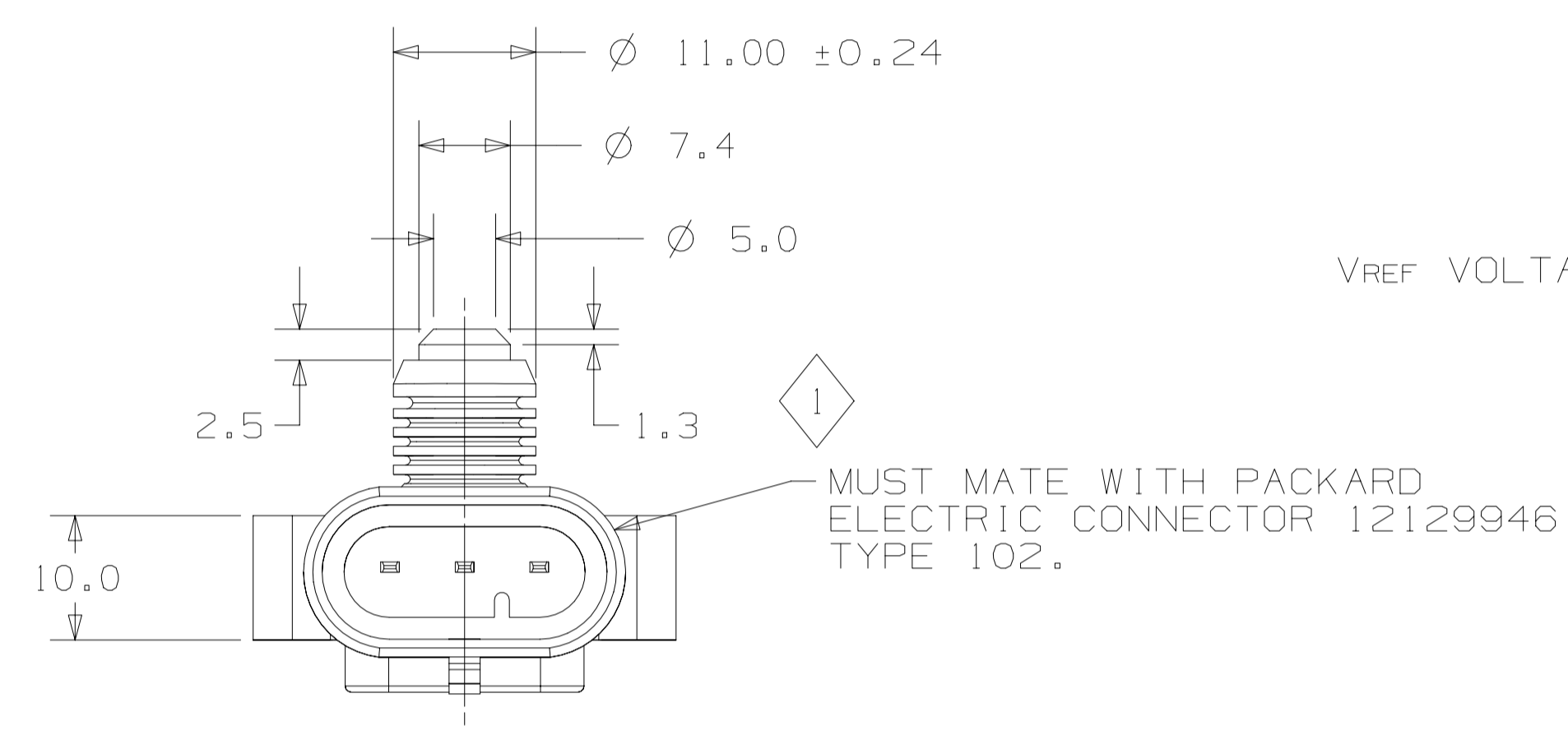


② ELECTRICAL OUTPUT  
 $V_{out} = V_{ref} [0.01059 * P - 0.10941]$   
 $V_{ref} = 5.0 \pm 0.1$  VOLTS  
P = PRESSURE IN kPa



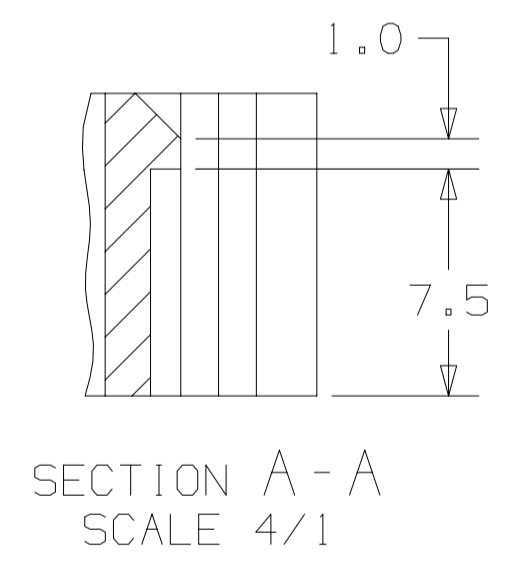
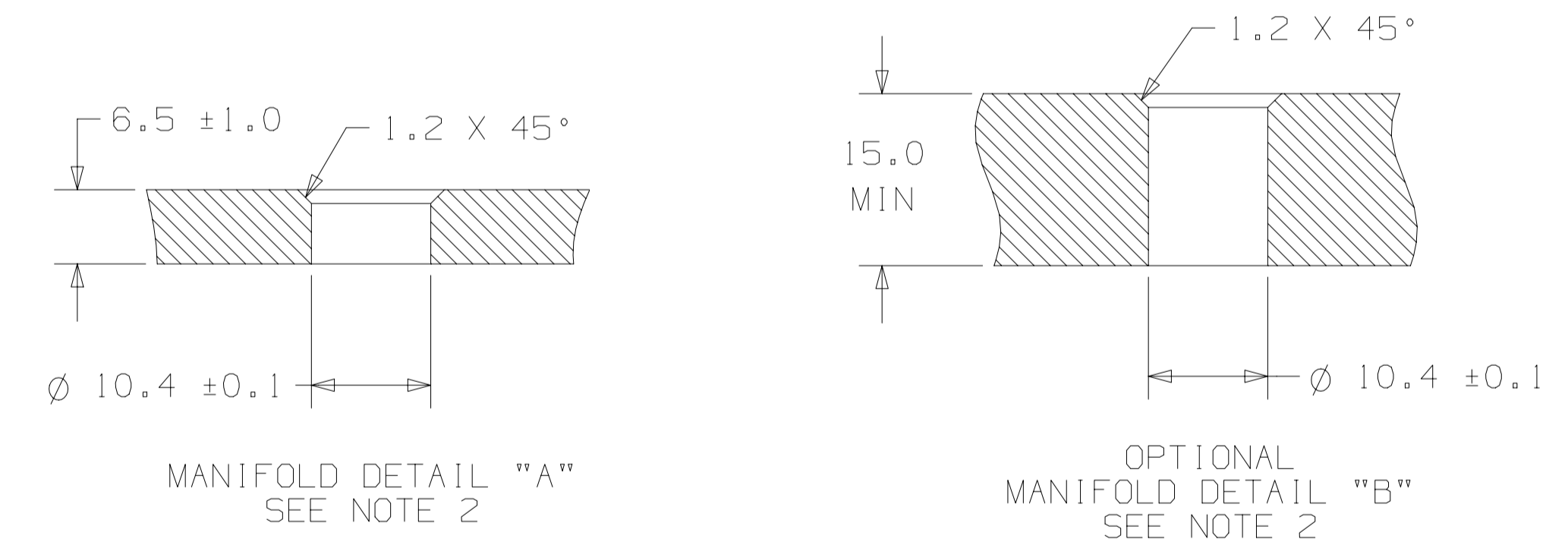
PRESSURE ERROR IN kPa

INPUT PRESSURE	ALLOWABLE ERROR
15	±2.4
40	±1.5
94	±1.5
102	±1.7



TEMPERATURE MULTIPLIER FOR ALLOWABLE PRESSURE ERROR

TEMPERATURE	MULTIPLIER
-40	2
10	1
85	1
105	2



- DATE CODE: FIRST DIGIT REPRESENTS THE YEAR AND THE LAST THREE DIGITS REPRESENT THE DAY OF THE YEAR
- MOUNTING: THIS PART IS FOR DIRECT MOUNTING INTO A PORT HOLE. THE SENSOR PORT IS TO BE ORIENTED DOWN WITHIN 30° OF VERTICAL. AN ADDITIONAL RETAINER IS RECOMMENDED FOR MANIFOLD DETAIL "A" AND REQUIRED FOR MANIFOLD DETAIL "B".
- PART WEIGHT: 0.017Kg ± 0.002Kg

SCALE 2/1 DIST 06 , 022

**DELPHI** Automotive Systems

THIS DRAWING IS THE PROPERTY OF DELPHI DELCO ELECTRONICS SYSTEMS. NO RIGHTS ARE GRANTED TO USE THIS DRAWING FOR ANY PURPOSE OTHER THAN THE FURNISHING OF SERVICES AND SUPPLIES TO DELPHI DELCO ELECTRONICS SYSTEMS.

**METRIC** mm

UNLESS OTHERWISE SPECIFIED; ALL DIMENSIONS ARE IN MILLIMETERS, AND THE TOLERANCES ARE:  
ONE PLACE DECIMALS ± 0.5  
TWO PLACE DECIMALS ± 0.20  
ANGLES ± 2°  
DRAFT ANGLES -  
SHARP CORNERS -

GD&T SEE ANSI Y14.5M-82 FOR GD&T INTERPRETATION  
PDM CHANGES ALLOWED ONLY BY PDM DOCUMENT PROCEDURES  
UG DO NOT SCALE THIRD ANGLE PROJECTION

FIRST USED 09359409	DES PATRICK A. DAVIS	08JA98
REFERENCE 1999 GM EMI	APR RICHARD LONGSTREET	03DE98
EXP MODEL	APR N/A	
EXP NUM	APR N/A	

RESTRICTED AND REPORTABLE CHEMICALS PER C1000

KEY PRODUCT CHARACTERISTICS

SAFETY/COMPLIANCE	FIT/FUNCTION
TOTAL ON DRAWING	2
LAST NUMBER USED	2

MATERIAL SPEC	DRAWING NAME OUTLINE-P/SNSR
PART NUMBER 09359409	SHT 1 OF 1

DELPHI DELCO ELECTRONICS SYSTEMS  
Division of DELPHI AUTOMOTIVE