



## Rugged Connector Enclosure

### The ModICE® Advantage:

ModICE® ME is an off the shelf, ready to use sealed enclosure for rugged electronics.

### Technology

Ideal for designs in the commercial vehicle market such as On-Highway, Agricultural, Construction and Vocational applications, Cinch's ME is an extension to the ModICE product family.



ME is the smallest ModICE package to date. Dimensions and mounting pattern are similar to industry standard enclosures with up to double the number of I/O's and increased space for components.



### Key Features

- 18, 30 and 48 I/O
- Blank face for custom interfaces
- Ferrite filtering available
- Vented enclosure with breather available
- 21 mm top PCB clearance allows for the use of larger components
- 6 mm bottom PCB clearance allows for under board component placement

### Specifications

- Operating Temperature -40°C to +85°C
- Rated IP67 and IP69K
- RoHS compliant



### For More Information:

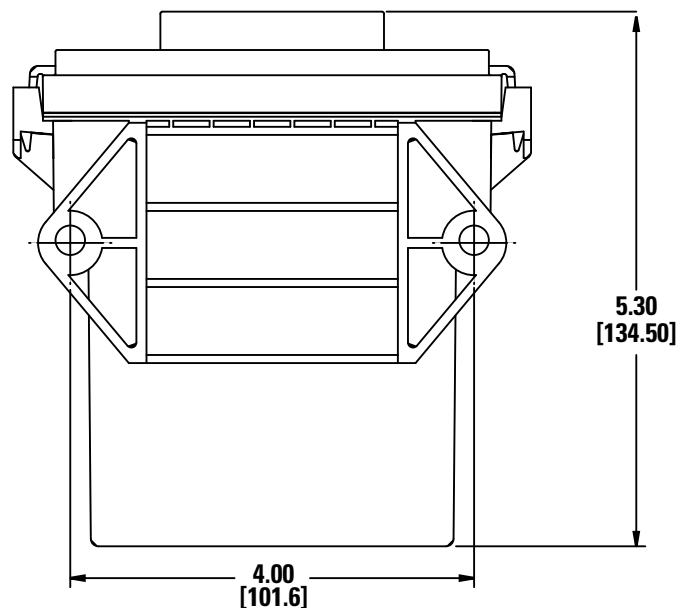
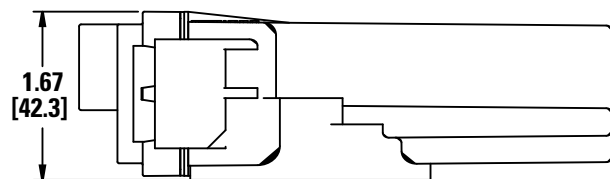
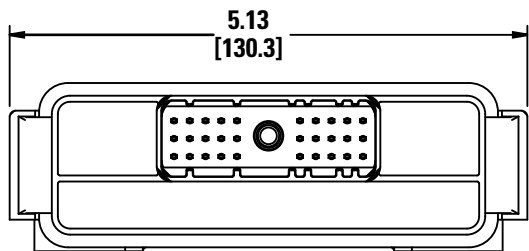
For pricing and availability contact the Transportation department at 1-800-323-9612 or e-mail directly to [modice@cinch.com](mailto:modice@cinch.com).



## Rugged Connector Enclosure

Enclosures	
Enclosure	581 01 30 065
Enclosure with breather	581 01 30 075

Headers	Without Ferrite	With Ferrite	Connector Mate
Header 18 I/O	581 01 18 038	581 01 18 039	581 01 18 023
Header 30 I/O	581 01 30 064	581 01 30 072	581 01 30 029
Header 48 I/O	581 01 48 009	581 01 48 010	581 01 18 023 / 581 01 30 029
Header Blank	581 00 00 055	n/a	n/a



\*30 I/O shown. Same overall dimensions for 18, 30 and 48 I/O.

### For More Information:

For pricing and availability contact the Transportation department at 1-800-323-9612 or e-mail directly to [modice@cinch.com](mailto:modice@cinch.com).