

9 8 7 6 5 4 3 2 1

E

E

D

D

C

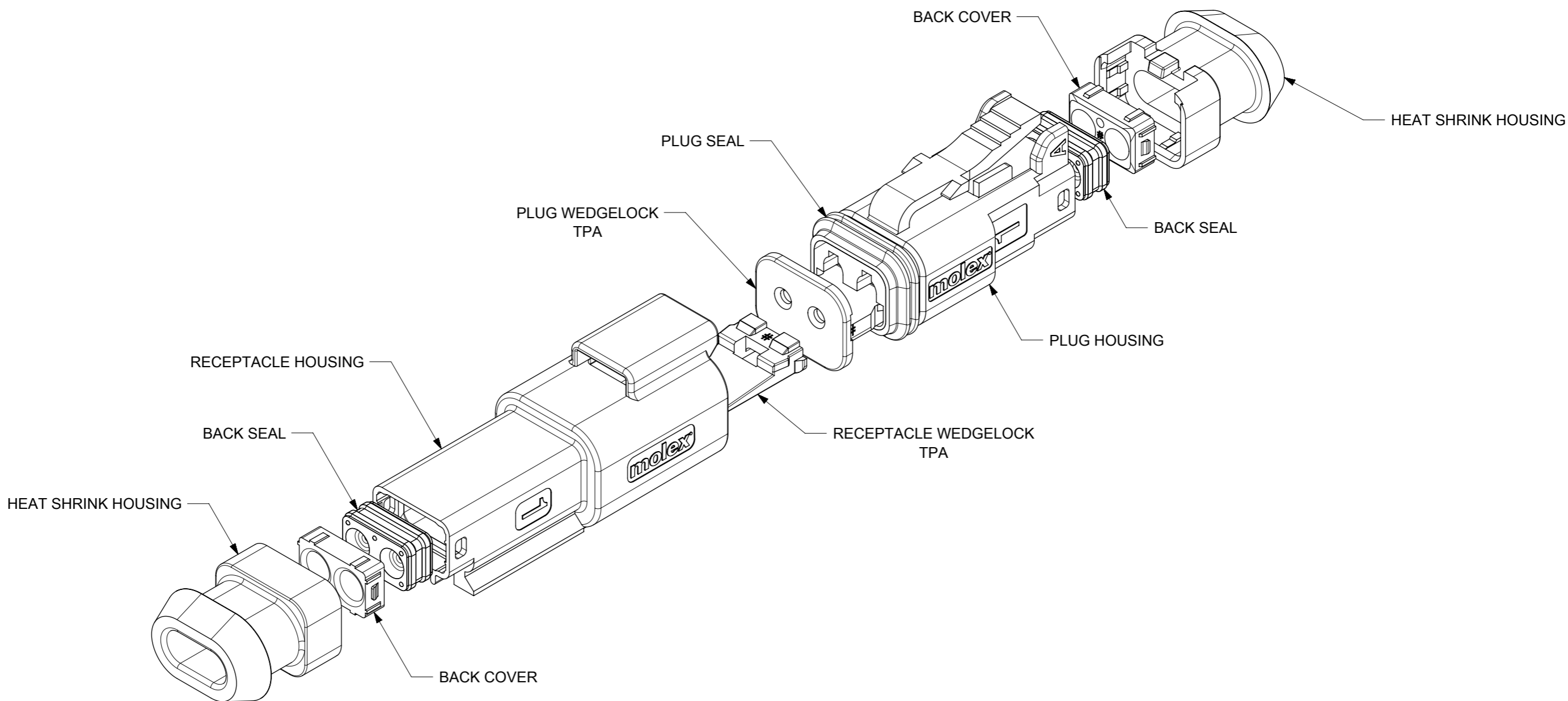
C

B

B

A

A



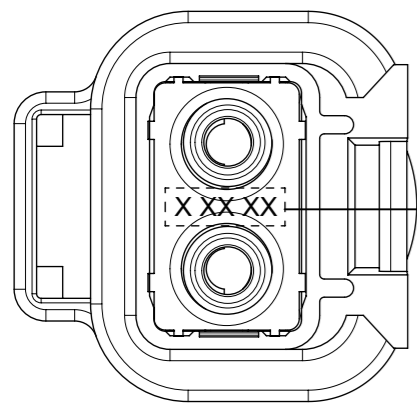
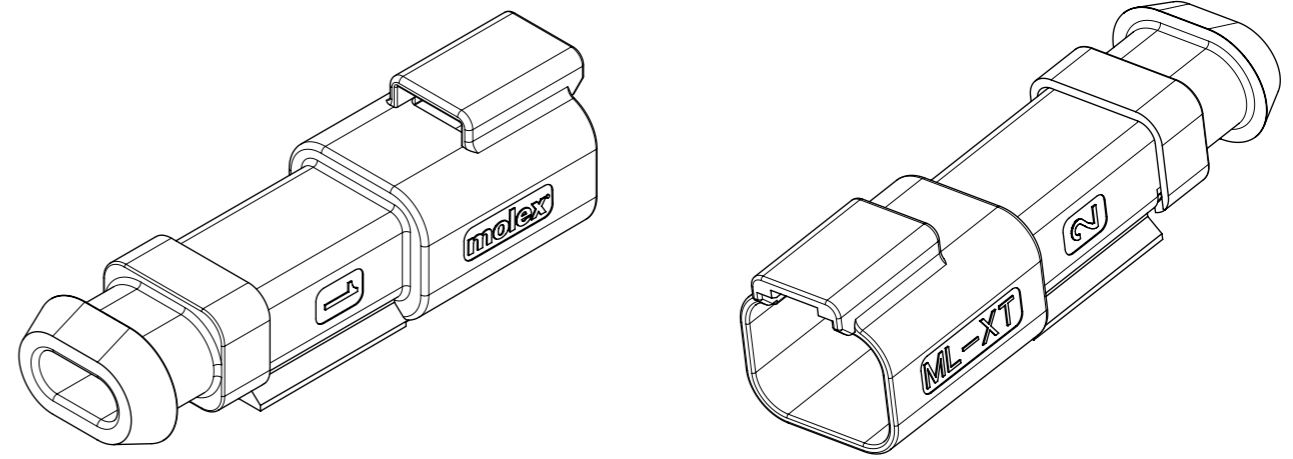
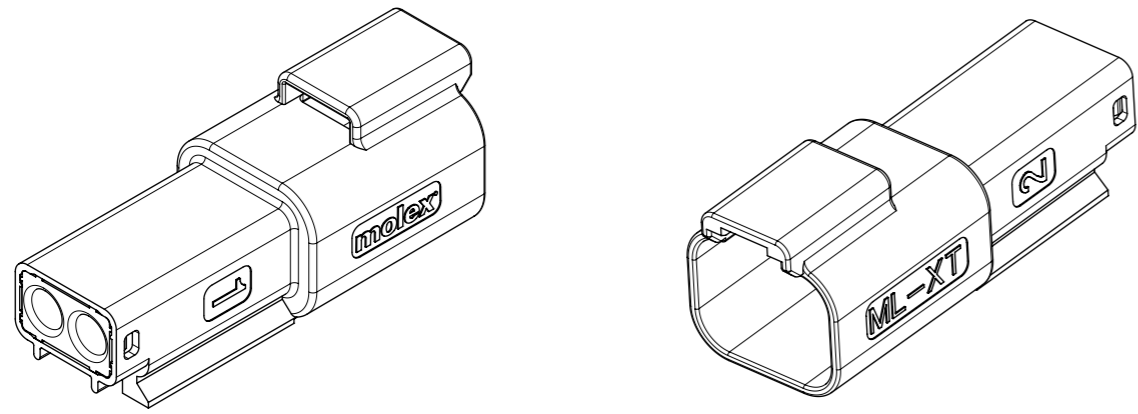
NOTES
 1. SEE SHEETS 2 TO 7 FOR UNSPECIFIED NOTES, DIMENSIONS AND PART NUMBERS

THIS DRAWING CONTAINS INFORMATION THAT IS PROPRIETARY TO MOLEX INCORPORATED AND SHOULD NOT BE USED WITHOUT WRITTEN PERMISSION											
SUPERSEDING SD-93443-0010 EC NO: 102420 DRWN: JFLETCHER CHK'D: NDOWDS APPR: JDWALLACE	2016/01/07 2016/01/11 2016/01/14	QUALITY SYMBOLS	GENERAL TOLERANCES (UNLESS SPECIFIED)		DIMENSION UNITS	SCALE	molex				
		▽ = 0	ANGULAR TOL ± 2.0 °		MM	2:1					
		▽ = 0	4 PLACES ±	DRWN BY	DATE	2CCT ML-XT CV CONNECTOR					
		▽ = 0	3 PLACES ±	KREILLY	2015/06/12						
		▽ = 0	2 PLACES ± 0.1	CHK'D BY	DATE	PRODUCT CUSTOMER DRAWING					
▽ = 0	1 PLACE ± 0.2	FDUGGAN	2015/09/13								
▽ = 0	0 PLACES ±	APPR BY	DATE	SERIES	MATERIAL NUMBER	CUSTOMER	GENERAL MARKET				
▽ = 0	DRAFT WHERE APPLICABLE MUST REMAIN WITHIN DIMENSIONS	JDWALLACE	2015/09/15	93443	SEE NOTES						
A1	REV	▽ = 0	DRAFT WHERE APPLICABLE MUST REMAIN WITHIN DIMENSIONS		DRAWING SIZE	THIRD ANGLE PROJECTION	DOCUMENT NUMBER		DOC TYPE	DOC PART	SHEET NUMBER
					A3		934430010		PSD	000	1 OF 9

9 8 7 6 5 4 3 2 1

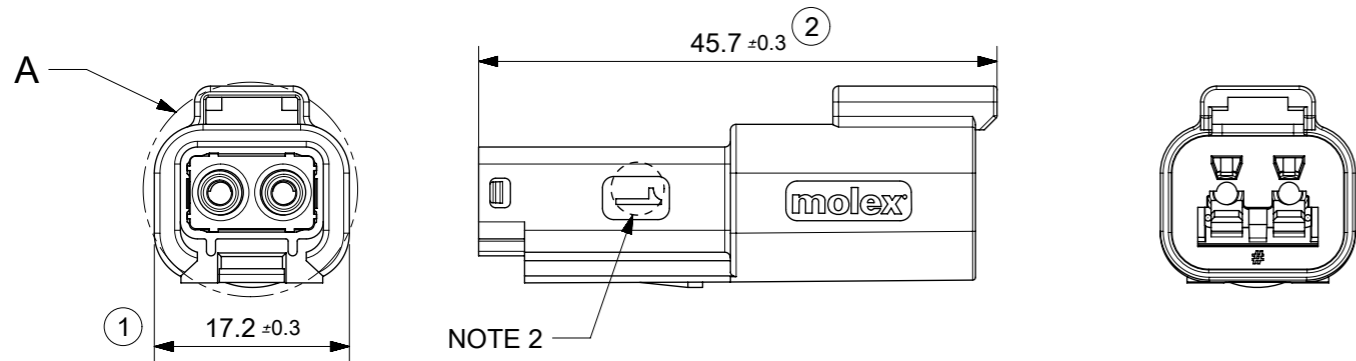
2CCT RECEPTACLE CONNECTOR

2CCT RECEPTACLE CONNECTOR WITH HEATSHRINK HOUSING ULTRASONICALLY WELDED IN PLACE

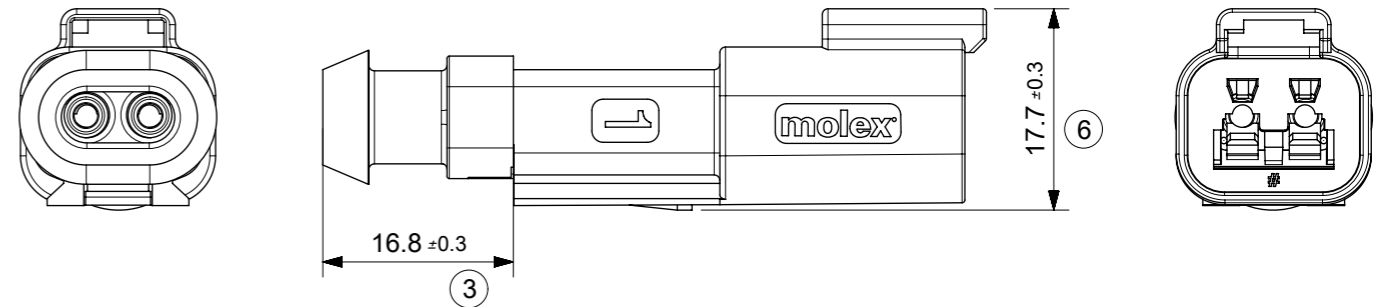
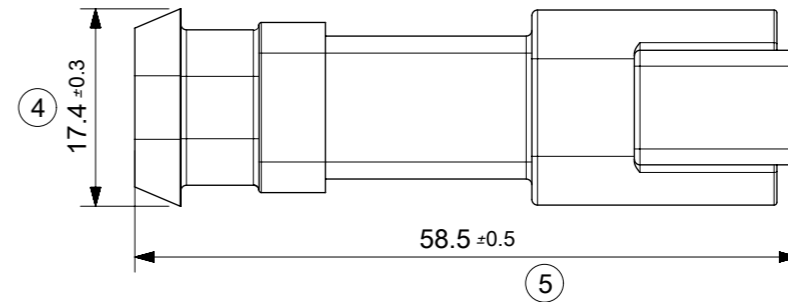


DATE CODE: X XX XX
 X — DAY: 1- 7
 X — WEEK: 01 - 52
 X — YEAR: 00 - 99
 X —
 EXAMPLE: 11315 = DAY 1, WEEK 13, YEAR 15
 i.e. 23rd OF MARCH 2015

(ROTATED 90°)
 DETAIL A
 SCALE 3:1



NOTE 2



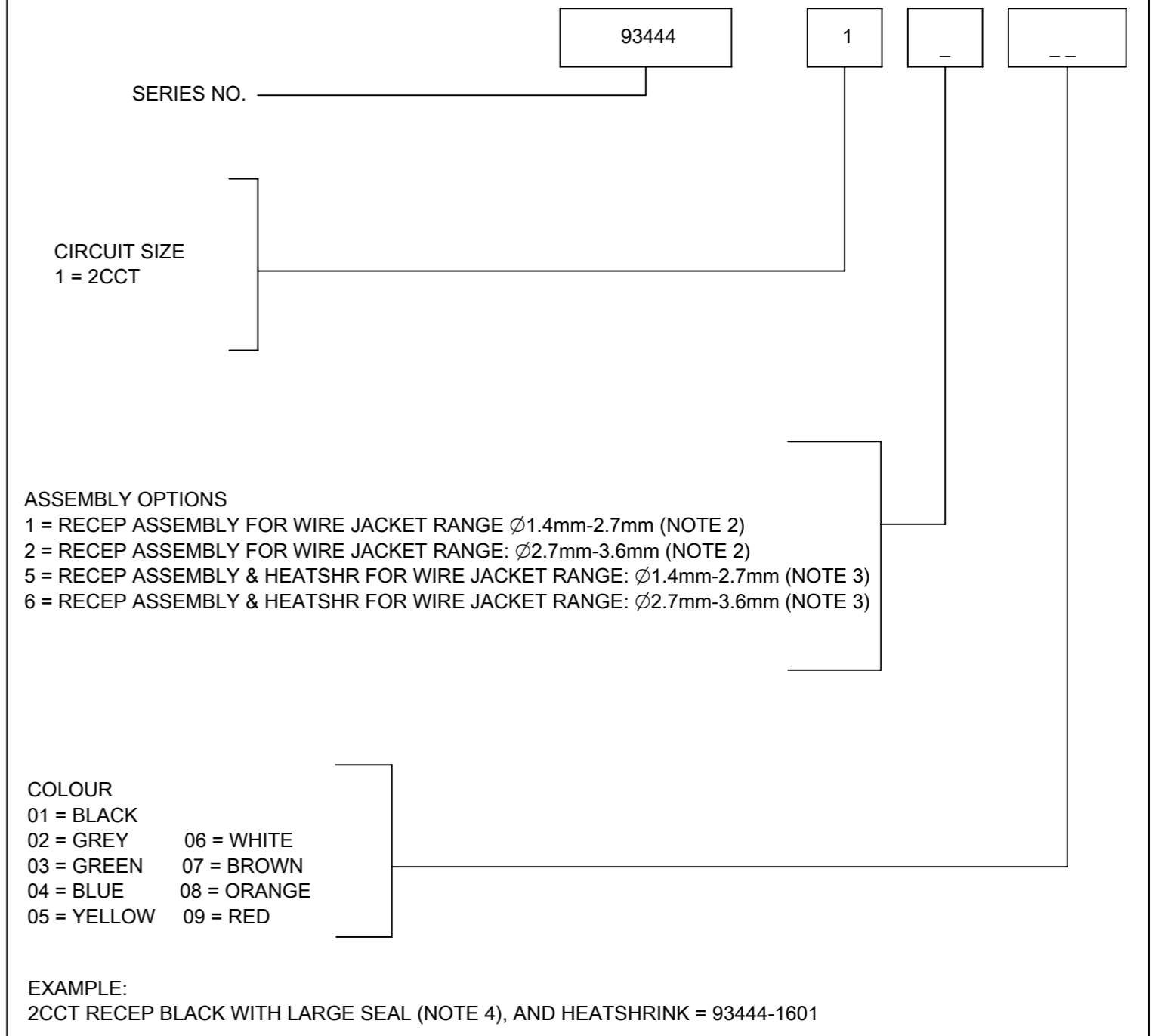
NOTES:

- MATERIAL
 HOUSING: NYLON 30%GF
 BACK SEAL: HIGH CONSISTENCY RUBBER
 - CIRCUIT IDENTIFICATION
 - JACKET RANGE LARGE = 2.7mm TO 3.6mm (SEAL COLOUR: LIGHT BLUE)
 JACKET RANGE SMALL = 1.4mm TO 2.7mm (SEAL COLOUR: BURNT ORANGE)
 - SEE SHEET 3 FOR FINAL PART NUMBER DESIGNATION
 - SEE 934430010 PS P FOR PRODUCT SPECIFICATION
 - SEE 934430002 PS K OR 934430010 PS K FOR PACKAGING SPECIFICATION
- LAST INSPECTION NUMBER: 6
 INSPECTION NUMBERS 1-50 RESERVED FOR SHEET 2

THIS DRAWING CONTAINS INFORMATION THAT IS PROPRIETARY TO MOLEX INCORPORATED AND SHOULD NOT BE USED WITHOUT WRITTEN PERMISSION

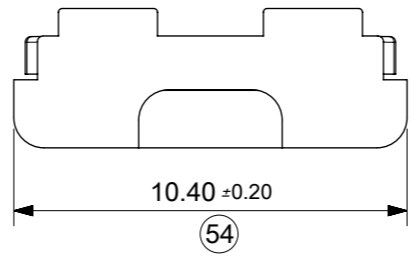
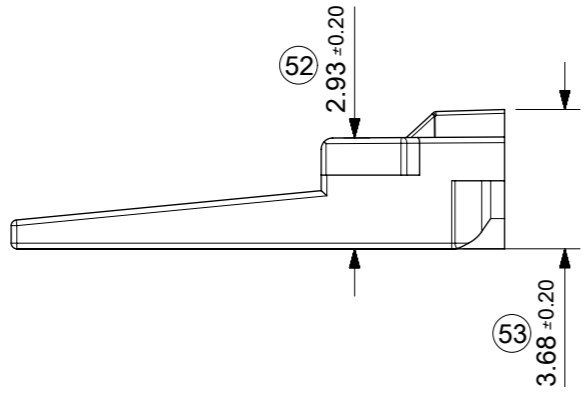
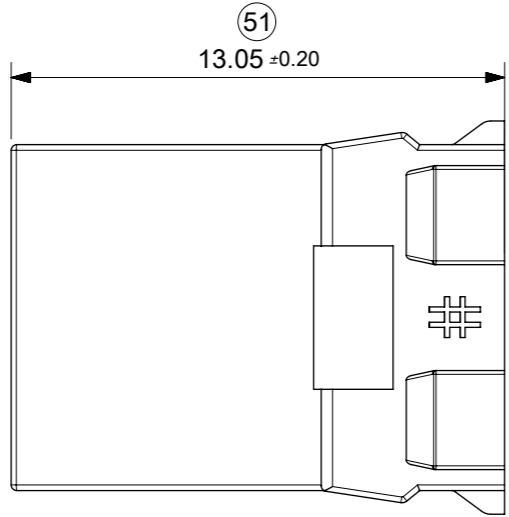
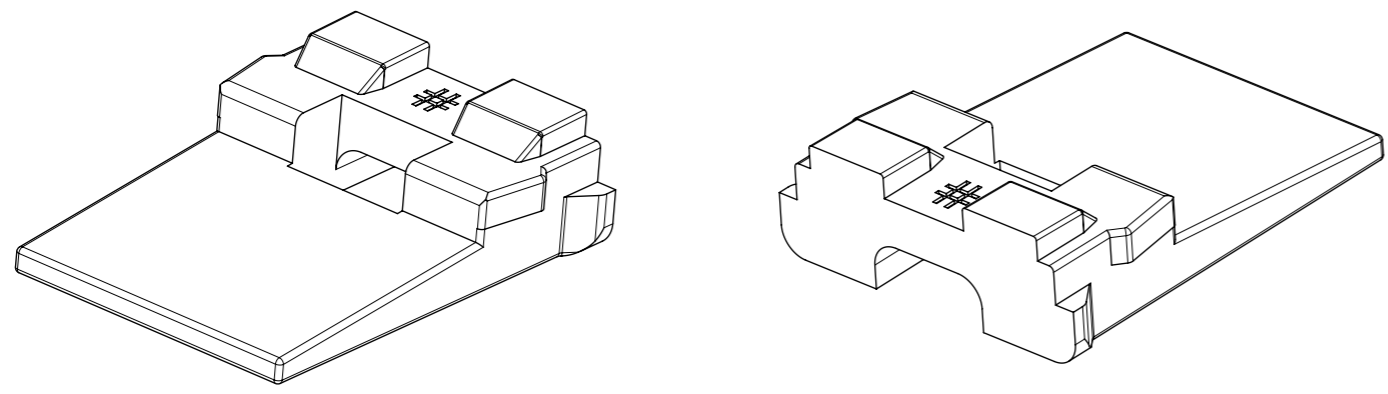
SUPERSEDING SD-93443-0010 EC NO: 102420 DRWN: JFLETCHER CHK'D: NDOWDS APPR: JDWALLACE	2016/01/07	2016/01/11	2016/01/14	QUALITY SYMBOLS ▽ = 0 ▽ = 0 ▽ = 0 ▼ = 0 ▽ = 0 ☒ = 0 ■ = 0 ▽ = 0	GENERAL TOLERANCES (UNLESS SPECIFIED) ANGULAR TOL ± 2.0 ° 4 PLACES ± 3 PLACES ± 2 PLACES ± 0.1 1 PLACE ± 0.2 0 PLACES ± DRAFT WHERE APPLICABLE MUST REMAIN WITHIN DIMENSIONS	DIMENSION UNITS	SCALE			
	MM		1.5:1							
	DRWN BY	DATE				PRODUCT CUSTOMER DRAWING				
	KREILLY	2015/06/12								
CHK'D BY	DATE		SERIES	MATERIAL NUMBER	CUSTOMER					
FDUGGAN	2015/09/13		93443	SEE SHEET 3	GENERAL MARKET					
APPR BY	DATE		DOCUMENT NUMBER							
JDWALLACE	2015/09/15		934430010							
DRAWING SIZE	THIRD ANGLE PROJECTION		DOC TYPE	DOC PART	SHEET NUMBER					
A3			PSD	000	2 OF 9					

2CCT RECEPTACLE CONNECTOR



- Notes:
- SEE SHEET 2 FOR UNSPECIFIED NOTES AND DIMENSIONS
 - BACK COVER HOUSING COLOUR: BLACK
 - HEATSHRINK HOUSING COLOUR: BLACK
 - JACKET RANGE LARGE = 2.7mm TO 3.6mm (SEAL COLOUR: LIGHT BLUE)
JACKET RANGE SMALL = 1.4mm TO 2.7mm (SEAL COLOUR: BURNT ORANGE)

THIS DRAWING CONTAINS INFORMATION THAT IS PROPRIETARY TO MOLEX INCORPORATED AND SHOULD NOT BE USED WITHOUT WRITTEN PERMISSION																			
SUPERSEDING SD-93443-0010	EC NO: 102420	DRWN: JFLETCHER	2016/01/07	QUALITY SYMBOLS	GENERAL TOLERANCES (UNLESS SPECIFIED)		DIMENSION UNITS		SCALE										
	CHK'D: NDOWDS	APPR: JDWALLACE	2016/01/11	∇ = 0	ANGULAR TOL \pm 2.0 °		MM		2:1										
	REV			∇ = 0	4 PLACES \pm		DRWN BY		DATE										
	A1			∇ = 0	3 PLACES \pm		KREILLY		2015/06/12										
				∇ = 0	2 PLACES \pm 0.1		CHK'D BY		DATE										
				∇ = 0	1 PLACE \pm 0.2		FDUGGAN		2015/09/13										
				∇ = 0	0 PLACES \pm		APPR BY		DATE										
				∇ = 0	DRAFT WHERE APPLICABLE MUST REMAIN WITHIN DIMENSIONS		JDWALLACE		2015/09/15										
				∇ = 0			DRAWING SIZE		THIRD ANGLE PROJECTION										
				∇ = 0			A3		<table border="1"> <tr> <td>SERIES</td> <td>MATERIAL NUMBER</td> <td>CUSTOMER</td> </tr> <tr> <td>93443</td> <td>SEE CHART</td> <td>GENERAL MARKET</td> </tr> </table>			SERIES	MATERIAL NUMBER	CUSTOMER	93443	SEE CHART	GENERAL MARKET		
SERIES	MATERIAL NUMBER	CUSTOMER																	
93443	SEE CHART	GENERAL MARKET																	
				∇ = 0					<table border="1"> <tr> <td>DOCUMENT NUMBER</td> <td>DOC TYPE</td> <td>DOC PART</td> <td>SHEET NUMBER</td> </tr> <tr> <td>934430010</td> <td>PSD</td> <td>000</td> <td>3 OF 9</td> </tr> </table>			DOCUMENT NUMBER	DOC TYPE	DOC PART	SHEET NUMBER	934430010	PSD	000	3 OF 9
DOCUMENT NUMBER	DOC TYPE	DOC PART	SHEET NUMBER																
934430010	PSD	000	3 OF 9																



2CCT RECEP. WEDGELOCK

SERIES NO. 93447 1 0 --

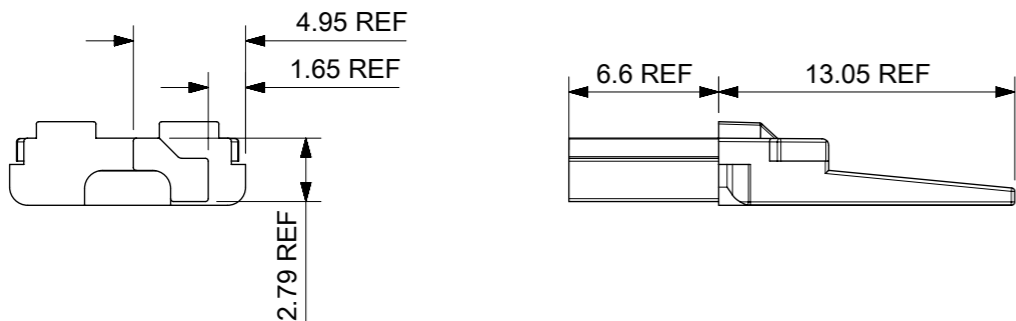
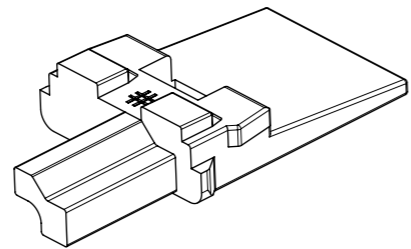
CIRCUIT SIZE 1 = 2CCT

COLOUR/KEYING
 03 = GREEN (NO KEY)
 12 = GREY A KEY
 21 = BLACK B KEY
 33 = GREEN C KEY
 47 = BROWN D KEY

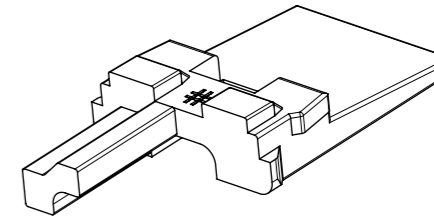
NOTES
 1. MATERIAL
 HOUSING: NYLON 30%GF
 2. INSPECTION NUMBERS 51-100
 RESERVED FOR SHEET 4
 3. PART NUMBER 934471003 SHOWN
 LAST INSPECTION NUMBER 54

THIS DRAWING CONTAINS INFORMATION THAT IS PROPRIETARY TO MOLEX INCORPORATED AND SHOULD NOT BE USED WITHOUT WRITTEN PERMISSION											
SUPERSEDING SD-93443-0010 EC NO: 102420 DRWN: JFLETCHER CHK'D: NDOWDS APPR: JDWALLACE	2016/01/07 2016/01/11 2016/01/14	QUALITY SYMBOLS	GENERAL TOLERANCES (UNLESS SPECIFIED)		DIMENSION UNITS	SCALE					
		▽ = 0 ▽ = 0 ▽ = 0 ▼ = 0 ▽ = 0 ☒ = 0 ■ = 0 ▽ = 0	ANGULAR TOL ± 2.0 ° 4 PLACES ± 3 PLACES ± 2 PLACES ± 0.1 1 PLACE ± 0.2 0 PLACES ±		MM	5:1					
		DRWN BY	DATE	2CCT ML-XT CV CONNECTOR							
		CHK'D BY	DATE	PRODUCT CUSTOMER DRAWING							
		APPR BY	DATE	SERIES	MATERIAL NUMBER	CUSTOMER					
A1	REV	93443	SEE CHART	GENERAL MARKET							
		DOCUMENT NUMBER		DOC TYPE	DOC PART	SHEET NUMBER					
		934430010		PSD	000	4 OF 9					

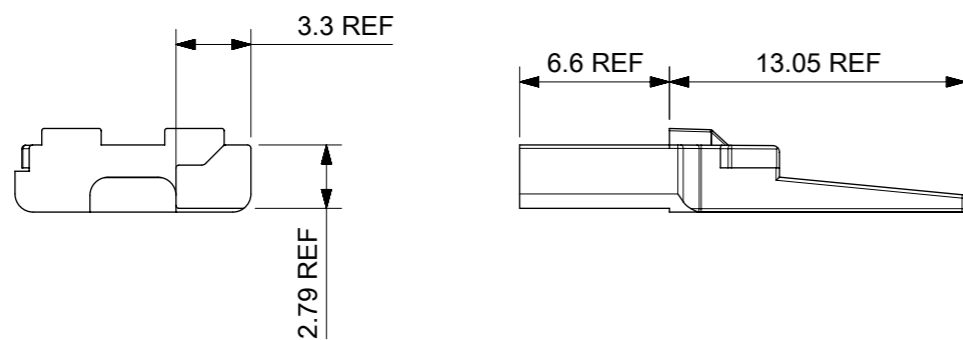
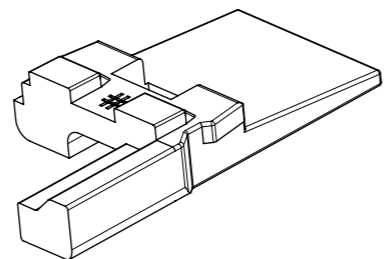
934471012 (KEY A)
COLOUR GREY



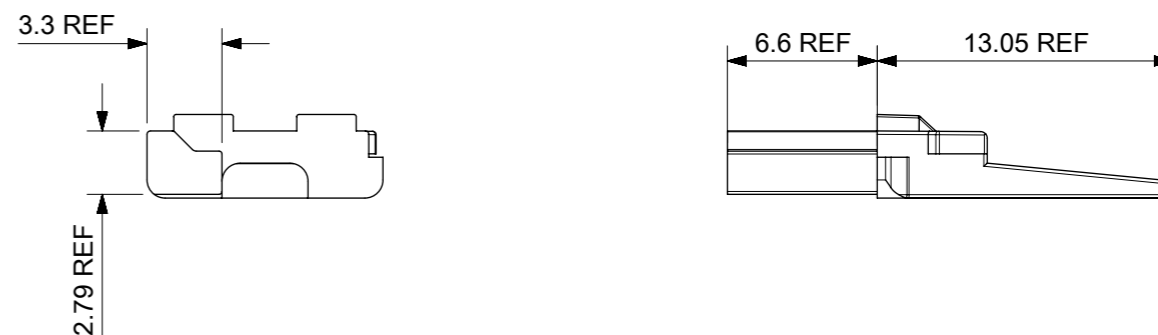
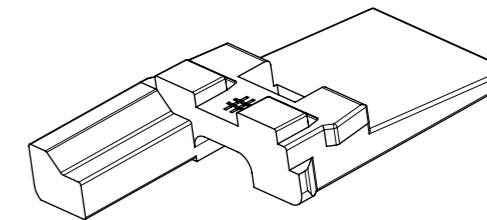
934471021 (KEY B)
COLOUR BLACK



934471033 (KEY C)
COLOUR GREEN



934471047 (KEY D)
COLOUR BROWN



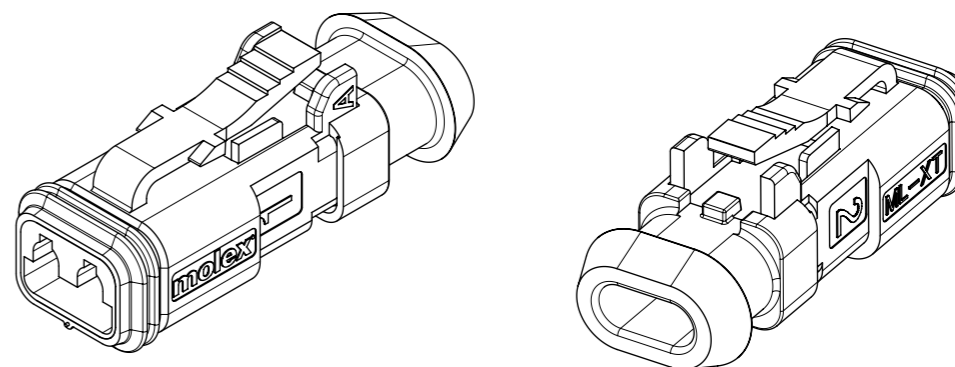
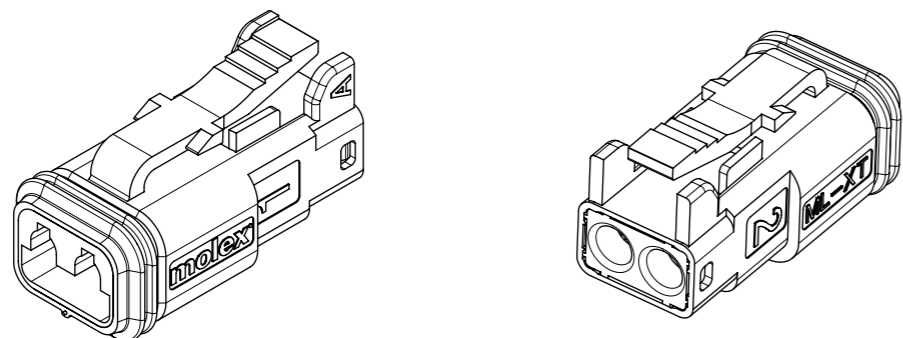
NOTES:
1. MATERIAL PA66 30%GF
2. SEE SHEET 4 FOR UNSPECIFIED NOTES & DIMENSIONS

THIS DRAWING CONTAINS INFORMATION THAT IS PROPRIETARY TO MOLEX INCORPORATED AND SHOULD NOT BE USED WITHOUT WRITTEN PERMISSION

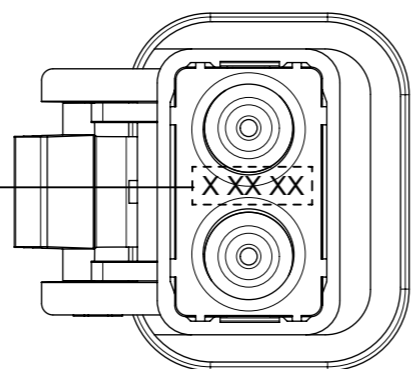
SUPERSEDING SD-93443-0010 EC NO: 102420 DRWN: JFLETCHER CHK'D: NDOWDS APPR: JDWALLACE	2016/01/07 2016/01/11 2016/01/14	QUALITY SYMBOLS □ = 0 ▽ = 0 ▽ = 0 ▽ = 0 ▽ = 0 ▽ = 0 ▽ = 0 ▽ = 0 ▽ = 0	GENERAL TOLERANCES (UNLESS SPECIFIED) ANGULAR TOL ± 2.0 ° 4 PLACES ± 3 PLACES ± 2 PLACES ± 0.1 1 PLACE ± 0.2 0 PLACES ± DRAFT WHERE APPLICABLE MUST REMAIN WITHIN DIMENSIONS	DIMENSION UNITS: MM SCALE: 3:1 DRWN BY: KREILLY DATE: 2015/06/12 CHK'D BY: FDUGGAN DATE: 2015/09/13 APPR BY: JDWALLACE DATE: 2015/09/15 DRAWING SIZE: A3 THIRD ANGLE PROJECTION	molex 2CCT ML-XT CV CONNECTOR PRODUCT CUSTOMER DRAWING					
	A1		REV		SERIES: 93443		MATERIAL NUMBER: 934430010		CUSTOMER: GENERAL MARKET	
	A1		REV		DOCUMENT NUMBER: 934430010		DOC TYPE: PSD		DOC PART: 000	
	A1		REV		SHEET NUMBER: 5 OF 9					

2CCT PLUG CONNECTOR

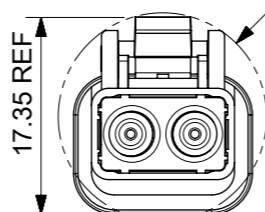
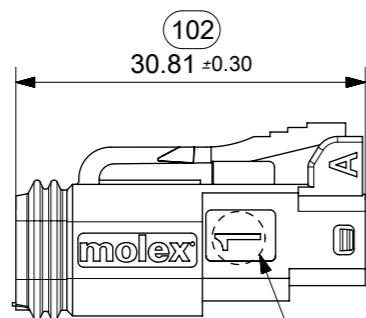
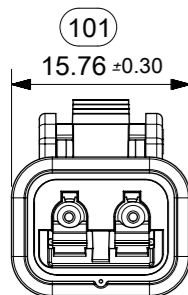
2CCT PLUG CONNECTOR WITH HEATSHRINK HOUSING ULTRA SONICALLY WELDED IN PLACE



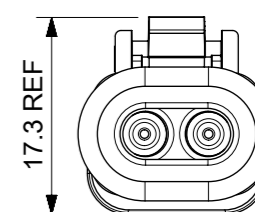
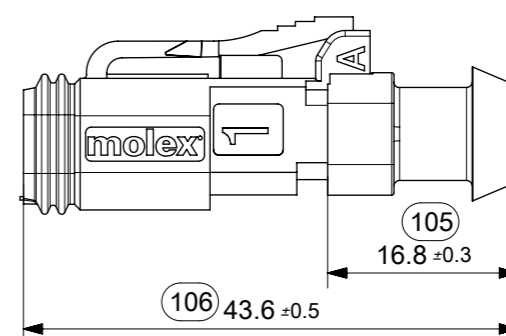
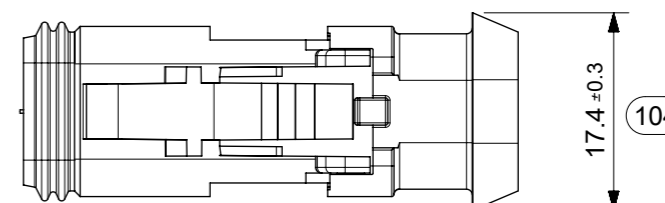
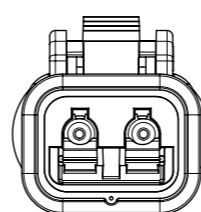
DATE CODE: X XX XX
 X — DAY: 1 - 7
 X — WEEK: 01 - 52
 X — YEAR: 00 - 99
 X —
 EXAMPLE: 11315 = DAY 1, WEEK 13, YEAR 15
 i.e. 23RD OF MARCH 2015



(ROTATED 90°)
 DETAIL B
 SCALE 3:1



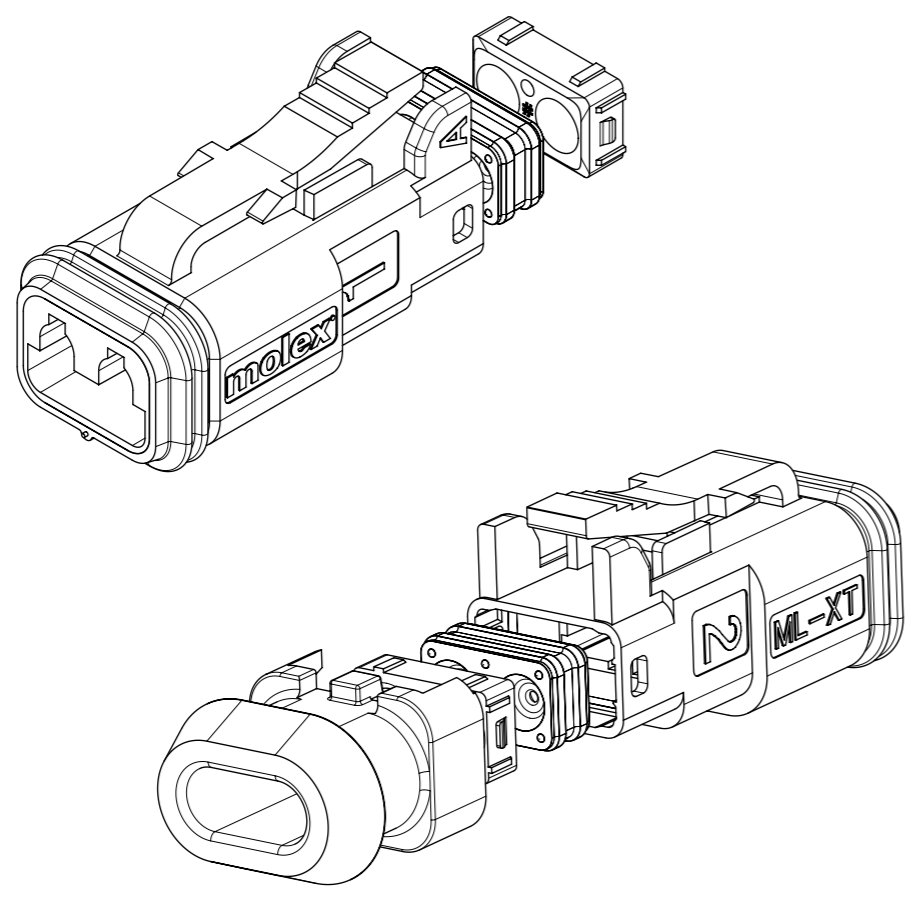
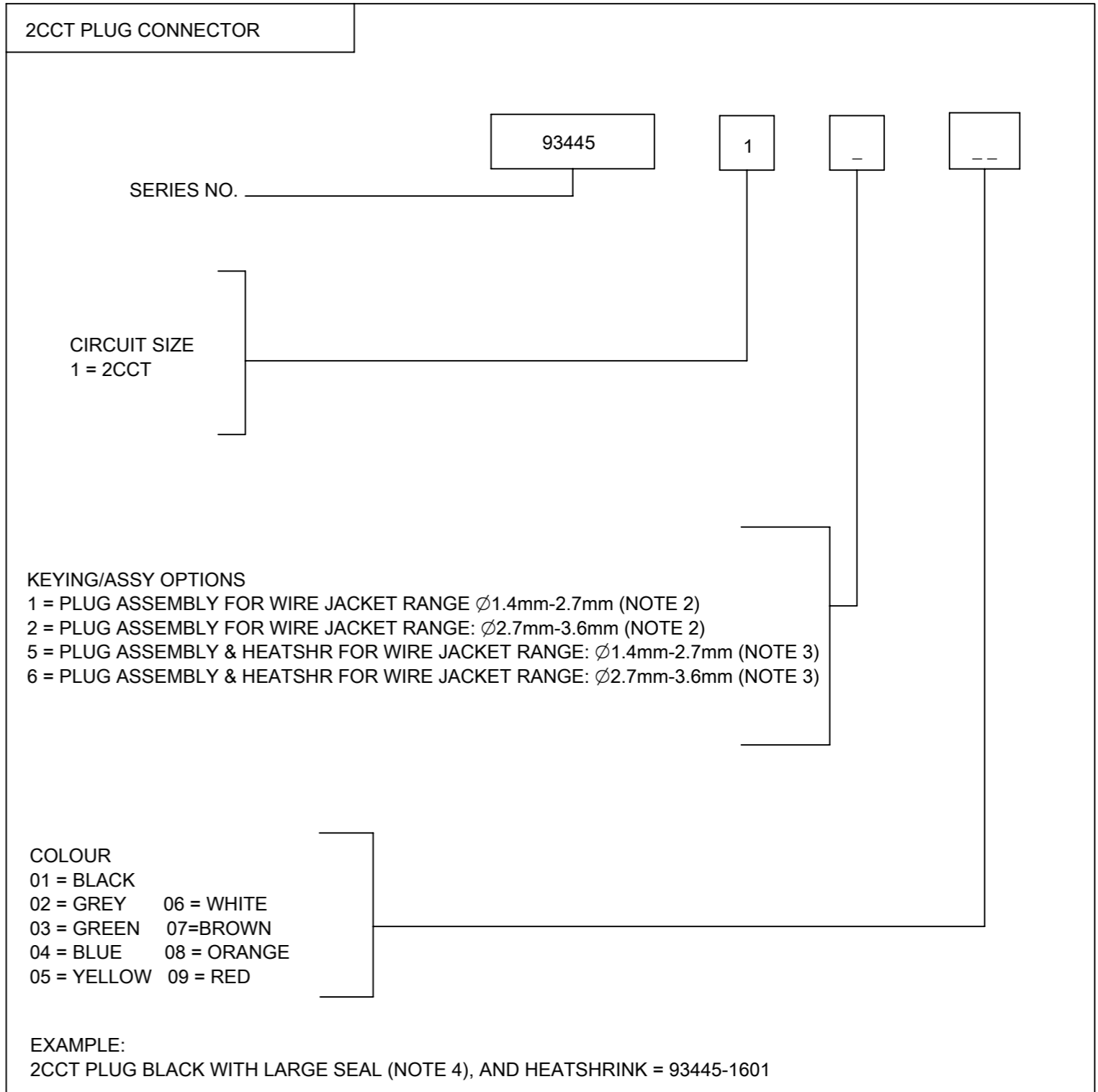
NOTE 2



- NOTES
- MATERIAL
 HOUSING: NYLON 30%GF
 PLUG SEAL: SILICONE RUBBER
 BACK SEAL: HIGH CONSISTENCY RUBBER
 - CIRCUIT IDENTIFICATION
 - JACKET RANGE LARGE = 2.7mm TO 3.6mm (SEAL COLOUR: LIGHT BLUE)
 JACKET RANGE SMALL = 1.4mm TO 2.7mm (SEAL COLOUR: BURNT ORANGE)
 - SEE SHEET 6 FOR FINAL PART NUMBER DESIGNATION
 - INSPECTION NUMBERS 101-150 RESERVED FOR SHEET 6
 LAST INSPECTION NUMBER 106.
 INSPECTION NUMBERS 103 & 107 DELETED.

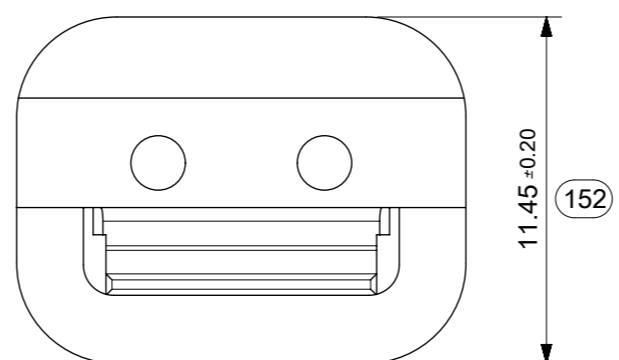
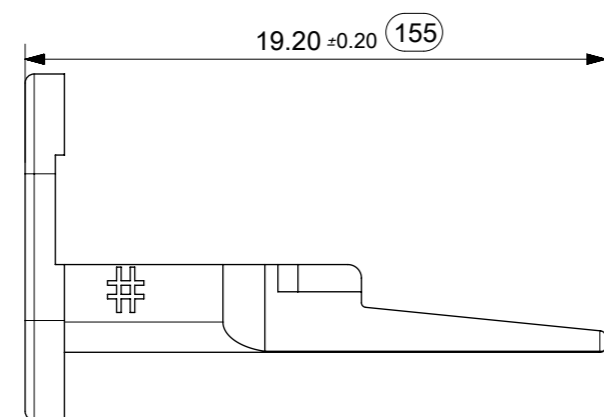
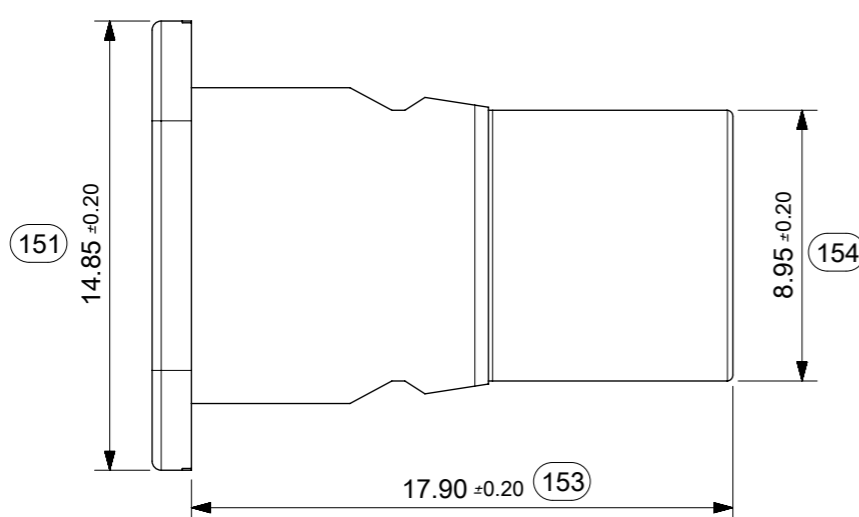
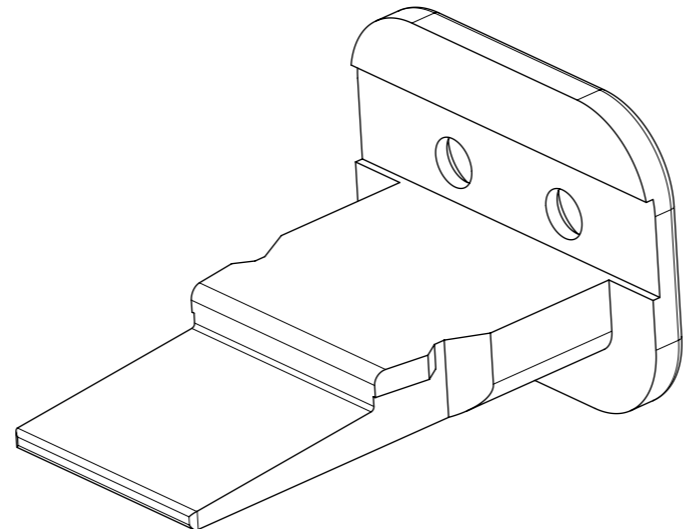
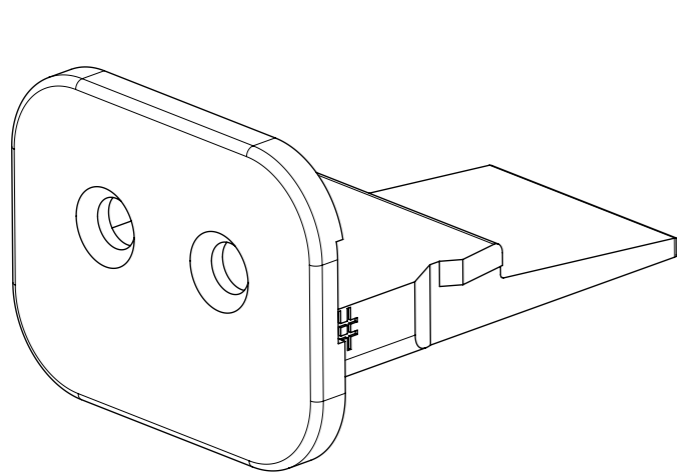
THIS DRAWING CONTAINS INFORMATION THAT IS PROPRIETARY TO MOLEX INCORPORATED AND SHOULD NOT BE USED WITHOUT WRITTEN PERMISSION

SUPERSEDING SD-93443-0010 EC NO: 102420 DRWN: JFLETCHER CHK'D: NDOWDS APPR: JDWALLACE	2016/01/07	2016/01/11	2016/01/14	QUALITY SYMBOLS ▽ = 0 ▽ = 0 ▽ = 0 ▼ = 0 ▽ = 0 ☒ = 0 ■ = 0 ▽ = 0	GENERAL TOLERANCES (UNLESS SPECIFIED) ANGULAR TOL ± 2.0 ° 4 PLACES ± 3 PLACES ± 2 PLACES ± 0.1 1 PLACE ± 0.2 0 PLACES ± DRAFT WHERE APPLICABLE MUST REMAIN WITHIN DIMENSIONS	DIMENSION UNITS SCALE MM 1.5:1				
	DRWN BY DATE KREILLY 2015/06/12		2CCT ML-XT CV CONNECTOR							
	CHK'D BY DATE FDUGGAN 2015/09/13					PRODUCT CUSTOMER DRAWING				
	APPR BY DATE JDWALLACE 2015/09/15		SERIES MATERIAL NUMBER CUSTOMER 93443 SEE SHEET 6 GENERAL MARKET							
A1	REV	DRAWING SIZE THIRD ANGLE PROJECTION A3		DOCUMENT NUMBER DOC TYPE DOC PART SHEET NUMBER 934430010 PSD 000 6 OF 9						



- Notes:
1. SEE SHEET 2 FOR UNSPECIFIED NOTES AND DIMENSIONS
 2. BACK COVER HOUSING COLOUR: BLACK
 3. HEATSHRINK HOUSING COLOUR: BLACK
 4. JACKET RANGE LARGE = 2.7mm TO 3.6mm (SEAL COLOUR: LIGHT BLUE)
 JACKET RANGE SMALL = 1.4mm TO 2.7mm (SEAL COLOUR: BURNT ORANGE)

THIS DRAWING CONTAINS INFORMATION THAT IS PROPRIETARY TO MOLEX INCORPORATED AND SHOULD NOT BE USED WITHOUT WRITTEN PERMISSION											
SUPERSEDING SD-93443-0010	EC NO: 102420	2016/01/07	QUALITY SYMBOLS	GENERAL TOLERANCES (UNLESS SPECIFIED)		DIMENSION UNITS		SCALE		molex	
	DRWN: JFLETCHER	2016/01/11		ANGULAR TOL \pm 2.0 °		MM	2:1	2CCT ML-XT CV CONNECTOR			
	CHK'D: NDOWDS	2016/01/14		∇ = 0	4 PLACES \pm	DRWN BY	DATE	PRODUCT CUSTOMER DRAWING			
	APPR: JDWALLACE			∇ = 0	3 PLACES \pm	CHK'D BY	DATE	SERIES	MATERIAL NUMBER	CUSTOMER	
A1	REV		∇ = 0	2 PLACES \pm 0.1	FDUGGAN	2015/09/13	93443	SEE CHART	GENERAL MARKET		
			∇ = 0	1 PLACE \pm 0.2	APPR BY	DATE	DOCUMENT NUMBER		DOC TYPE	DOC PART	SHEET NUMBER
			∇ = 0	0 PLACES \pm	JDWALLACE	2015/09/15	934430010		PSD	000	7 OF 9
			∇ = 0	DRAFT WHERE APPLICABLE MUST REMAIN WITHIN DIMENSIONS	DRAWING SIZE		THIRD ANGLE PROJECTION				
					A3						



2CCT PLUG WEDGELOCK

SERIES NO. 93448 1 0 --

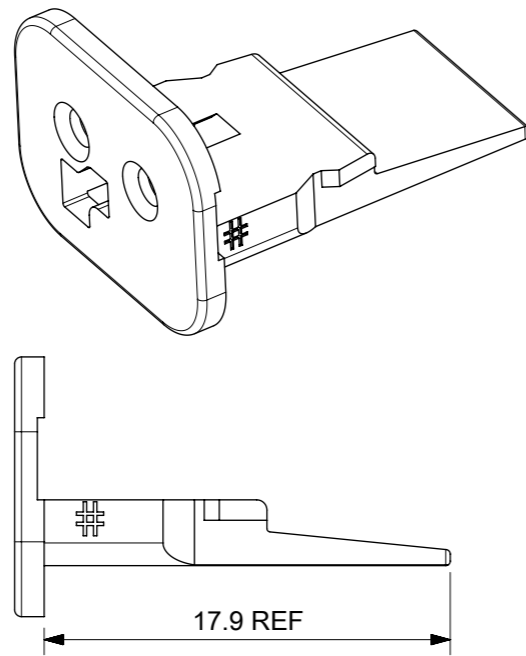
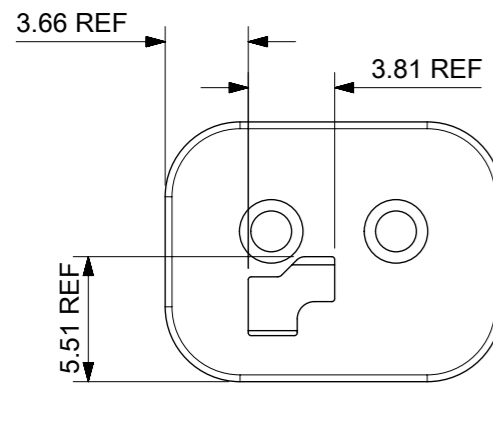
CIRCUIT SIZE
1 = 2CCT

COLOUR/KEYING
03 = GREEN (NO KEY)
12 = GREY A KEY
21 = BLACK B KEY
33 = GREEN C KEY
47 = BROWN D KEY

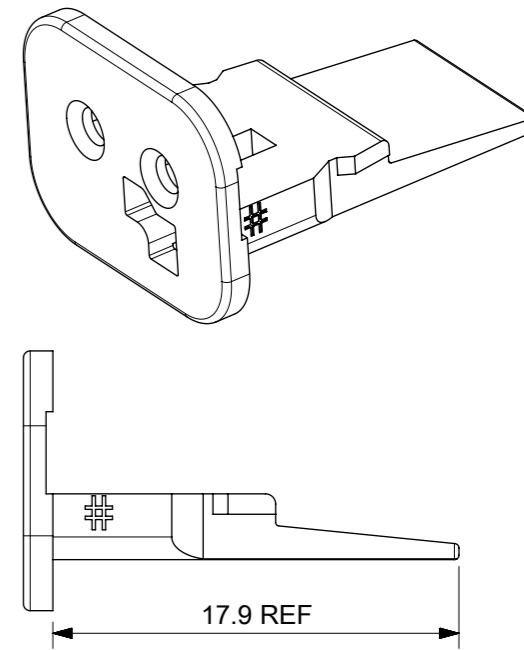
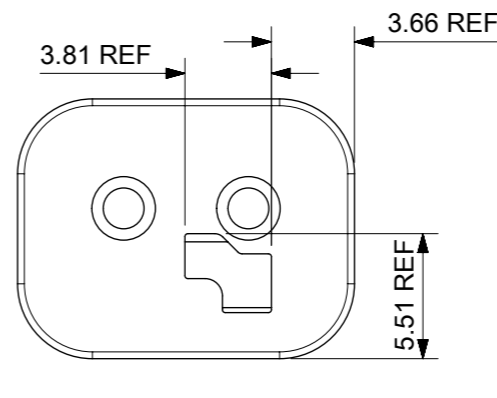
NOTES
 1. MATERIAL
 HOUSING: NYLON 30%GF
 2. INSPECTION NUMBERS 151-200 RESERVED FOR SHEET 8
 3. PART NUMBER 934481003 SHOWN
 LAST INSPECTION NUMBER 155

THIS DRAWING CONTAINS INFORMATION THAT IS PROPRIETARY TO MOLEX INCORPORATED AND SHOULD NOT BE USED WITHOUT WRITTEN PERMISSION											
SUPERSEDING SD-93443-0010 EC NO: 102420 DRWN: JFLETCHER CHK'D: NDOWDS APPR: JDWALLACE	2016/01/07 2016/01/11 2016/01/14	QUALITY SYMBOLS	GENERAL TOLERANCES (UNLESS SPECIFIED)		DIMENSION UNITS	SCALE	molex				
		▽ = 0	ANGULAR TOL ± 2.0 °		MM	4:1					
		▽ = 0	4 PLACES ±	DRWN BY	DATE	2CCT ML-XT CV CONNECTOR					
		▽ = 0	3 PLACES ±	KREILLY	2015/06/12						
▽ = 0	2 PLACES ± 0.1	CHK'D BY	DATE	PRODUCT CUSTOMER DRAWING							
▽ = 0	1 PLACE ± 0.2	FDUGGAN	2015/09/13								
▽ = 0	0 PLACES ±	APPR BY	DATE	SERIES MATERIAL NUMBER CUSTOMER							
▽ = 0	DRAFT WHERE APPLICABLE MUST REMAIN WITHIN DIMENSIONS	JDWALLACE	2015/09/15						93443	SEE CHART	GENERAL MARKET
A1	REV	▽ = 0	DRAFT WHERE APPLICABLE MUST REMAIN WITHIN DIMENSIONS		DRAWING SIZE	THIRD ANGLE PROJECTION	DOCUMENT NUMBER		DOC TYPE	DOC PART	SHEET NUMBER
					A3		934430010		PSD	000	8 OF 9

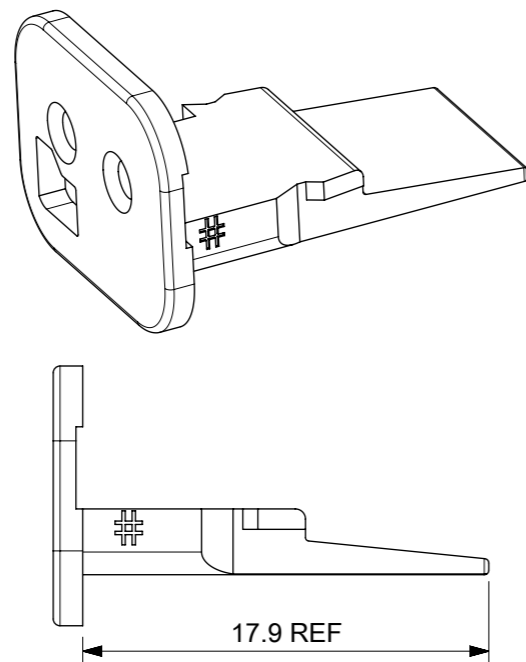
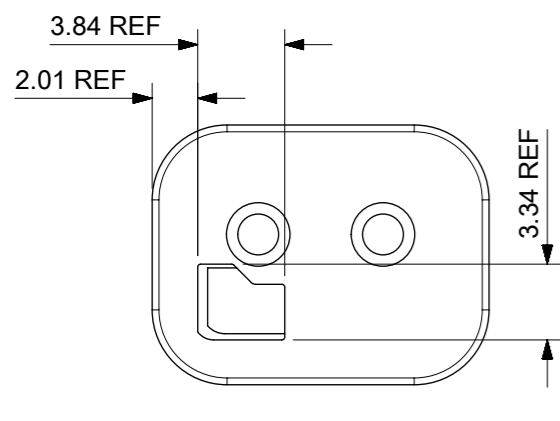
934481012 (KEY A)
COLOUR GREY



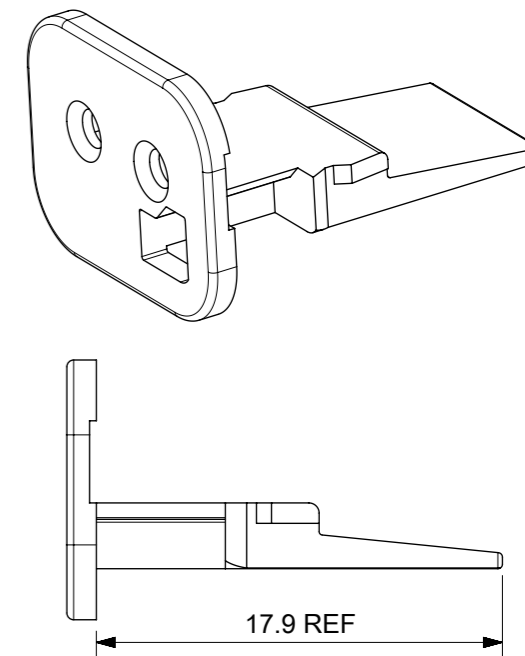
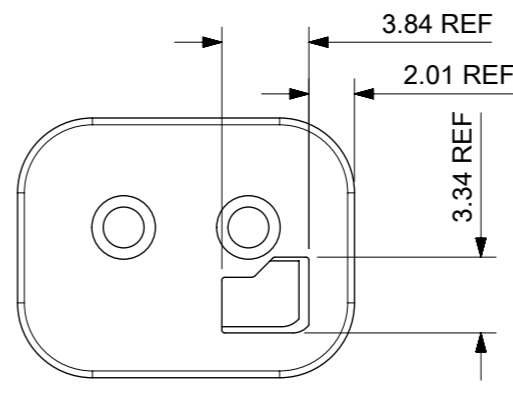
934481021 (KEY B)
COLOUR BLACK



934481033 (KEY C)
COLOUR GREEN



934481047 (KEY D)
COLOUR BROWN



NOTES:
1. MATERIAL PA66 30%GF
2. SEE SHEET 8 FOR UNSPECIFIED NOTES & DIMENSIONS

THIS DRAWING CONTAINS INFORMATION THAT IS PROPRIETARY TO MOLEX INCORPORATED AND SHOULD NOT BE USED WITHOUT WRITTEN PERMISSION											
SUPERSEDING SD-93443-0010 EC NO: 102420 DRWN: JFLETCHER CHK'D: NDOWDS APPR: JDWALLACE	2016/01/07 2016/01/11 2016/01/14	QUALITY SYMBOLS	GENERAL TOLERANCES (UNLESS SPECIFIED)		DIMENSION UNITS	SCALE	molex				
		▽ = 0	ANGULAR TOL ± 2.0 °		MM	3:1					
		▽ = 0	4 PLACES ±	DRWN BY	DATE	2CCT ML-XT CV CONNECTOR					
		▽ = 0	3 PLACES ±	KREILLY	2015/06/12						
▽ = 0	2 PLACES ± 0.1	CHK'D BY	DATE	PRODUCT CUSTOMER DRAWING							
▽ = 0	1 PLACE ± 0.2	FDUGGAN	2015/09/13								
▽ = 0	0 PLACES ±	APPR BY	DATE	SERIES MATERIAL NUMBER CUSTOMER							
☒ = 0	DRAFT WHERE APPLICABLE MUST REMAIN WITHIN DIMENSIONS	JDWALLACE	2015/09/15						93443		GENERAL MARKET
A1	REV	□ = 0	DRAFT WHERE APPLICABLE MUST REMAIN WITHIN DIMENSIONS		DRAWING SIZE	THIRD ANGLE PROJECTION	DOCUMENT NUMBER		DOC TYPE	DOC PART	SHEET NUMBER
		▽ = 0			A3		934430010		PSD	000	9 OF 9